

**PINK INC PROVIDES:**

- 1 Single Delta Fabric
- 2 5' Fiberglass Rods
- 1 16' White Pole Cover
- 1 24" Black Base Cover
- Extra Rods
- Extra White End Caps
- Extra Brass Couplings

**YOU PROVIDE:**

- 16' Auto-Pole and Base Plate  
or Tie line if rigging
- Site Plan/Event Layout
- Two Person Team
- Shears or Diagonal Cutters
- Zip-Ties
- Gloves
- Sewing Kit
- Plastic Drop Cloth



Additional Support Please Call:  
212-253-6666 or  
After Hours: 646-853-3900

Be sure to have these pieces near the final location:

5' Fiberglass Rod

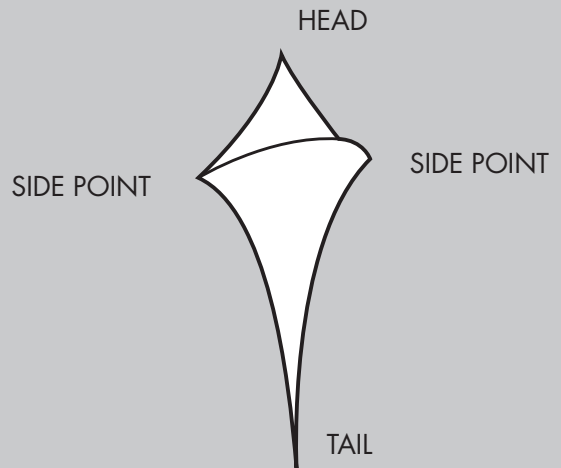


x 2

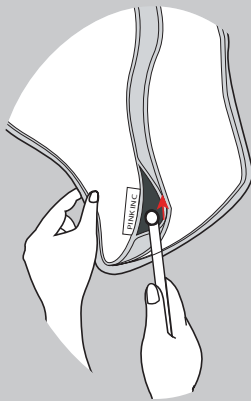
Prior to assembly, lay out drop cloth in designated work location. Before working with fabric, wash hands or put on gloves.

Use caution when working with fiberglass. Wear gloves to protect from splinters.

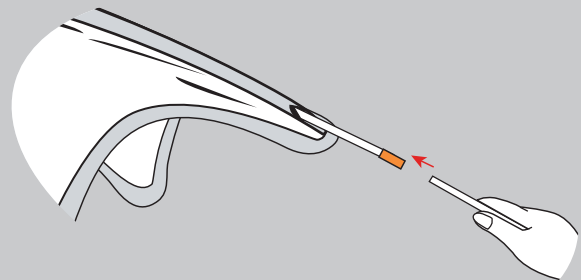
1. Lay out fabric on plastic drop cloth and identify the following parts:



2. Locate one of the 5' rods with a white end cap. Insert the cap end into the opening in the runner at the SIDE POINTS end of the fabric. Do not insert past the brass coupling.

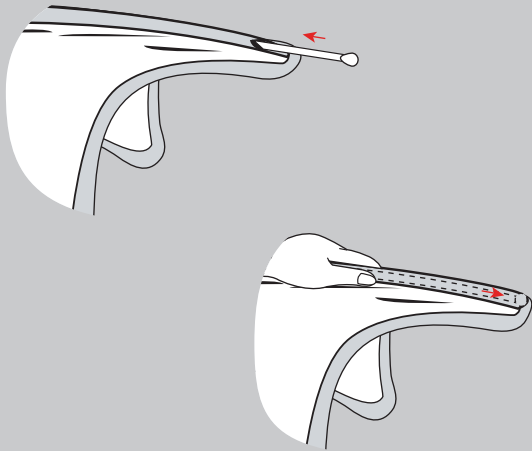


3. Insert the other 5' rod into the brass coupling.

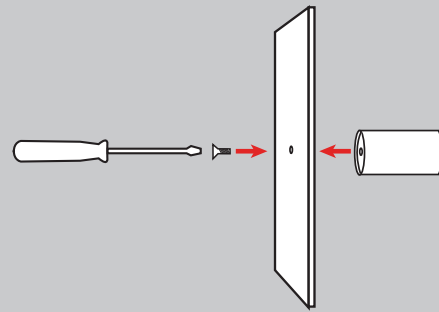


Any and all rights (including, without limitation, copyright, design patent, use patent and trademark) in and to all designs, concepts, renderings, or graphics (collectively, "Design") represented in this document were created by Pink Inc. and remain the sole and exclusive property of Pink Inc. Use of any such Design by the recipient without required purchase is strictly prohibited. ©2009

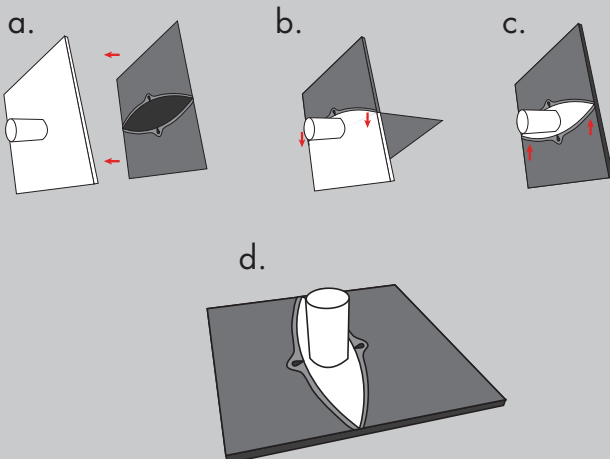
4. The second rod will also have a rubber end cap at its other end. Insert fully into the runner. Allow it to return to the corner. If rigging, finish step 4 and skip to step 12.



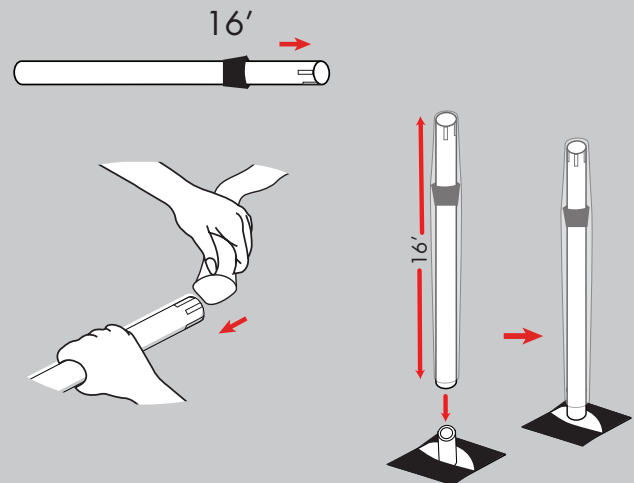
5. Lay the fabric onto the drop cloth while you prep the auto-pole and base. If base plate is not assembled, assemble with nipple.



6. Place the base cover onto the base plate as indicated below.

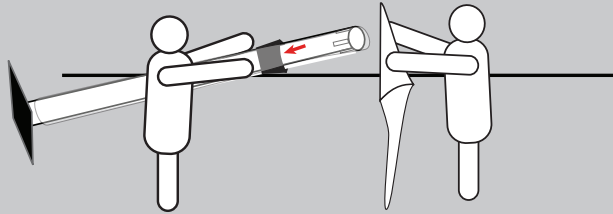


7. Preset the auto-pole to the correct height. Slide the pole cover over the auto-pole. Then place auto-pole onto base plate.

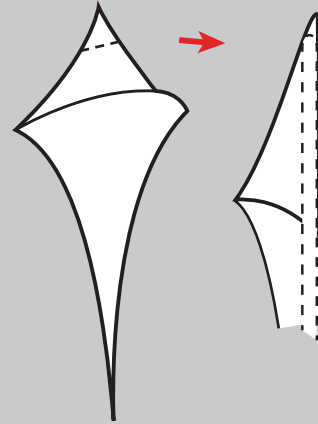


Any and all rights (including, without limitation, copyright, design patent, use patent and trademark) in and to all designs, concepts, renderings, or graphics (collectively, "Design") represented in this document were created by Pink Inc. and remain the sole and exclusive property of Pink Inc. Use of any such Design by the recipient without required purchase is strictly prohibited. ©2009

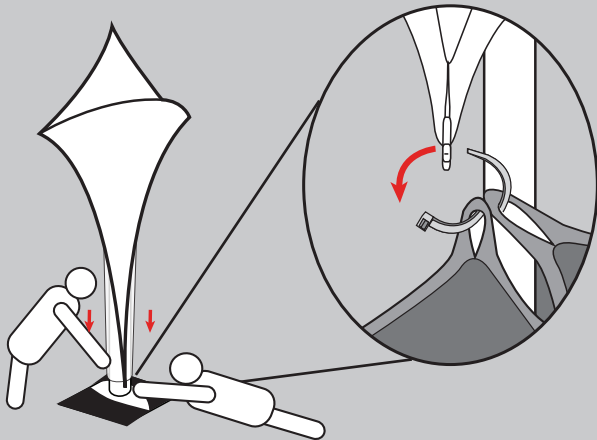
8. Have one person tilt the auto-pole at the base in preparation to set the Delta onto it.



9. Note the pocket at the top of the Delta. Using the pocket at the back, place the Delta onto the auto-pole.



10. Stand the Delta. To finish, have one person hold the TAIL of the fabric down, while the other zip-ties the base cover to the loop at the TAIL end.

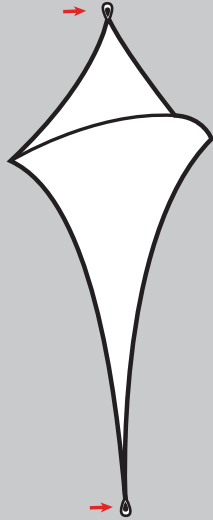


11. After it is zip-tied, the Delta is finished.



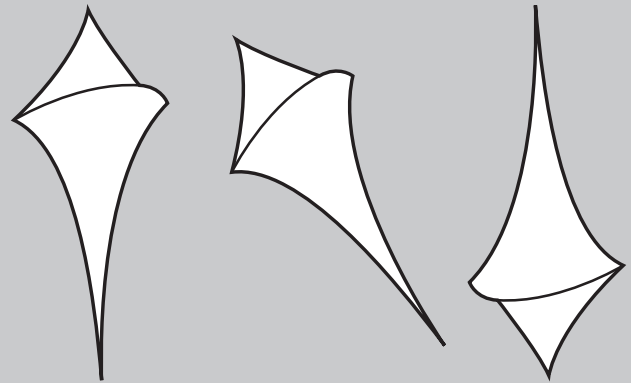
Any and all rights (including, without limitation, copyright, design patent, use patent and trademark) in and to all designs, concepts, renderings, or graphics (collectively, "Design") represented in this document were created by Pink Inc. and remain the sole and exclusive property of Pink Inc. Use of any such Design by the recipient without required purchase is strictly prohibited. ©2009

12. The Delta can also be rigged from loops at the top and bottom.



Loops exaggerated in drawing.

12. The Delta can be rigged on an angle or upside-down. Just be sure that the structure is stretched to 16' to ensure proper tension.



**Trouble Shooting:**

- Fiberglass precautions:
  - \* Do not run hand along rod;
  - \* Wear gloves;
  - \* Handle gently to avoid breaking rod.
  
- If you get a fiberglass splinter:
  - \* Wash hands with soap and water;
  - \* Treat as a splinter.
  
- If a fiberglass rod breaks:
  - \* Do not reuse; throw away;
  - \* Replace with an extra provided.
  
- If fabric appears to be wrinkled, stretch the auto-pole taller.

Any and all rights (including, without limitation, copyright, design patent, use patent and trademark) in and to all designs, concepts, renderings, or graphics (collectively, "Design") represented in this document were created by Pink Inc. and remain the sole and exclusive property of Pink Inc. Use of any such Design by the recipient without required purchase is strictly prohibited. ©2009