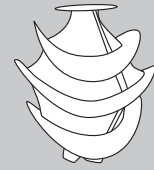


**PINK INC PROVIDES:**

- 1 Medium Hoopla Costume
- 1 5' PVC Pole
- 1 Hoopla Backpack
- 1 Hoopla Head

**YOU PROVIDE:**

- Site Plan/Event Layout
- Sewing Kit
- Comfortable Closed-Toe Shoes
- Lightweight and Comfortable Clothes for Inside Costume
- Performer Assistant

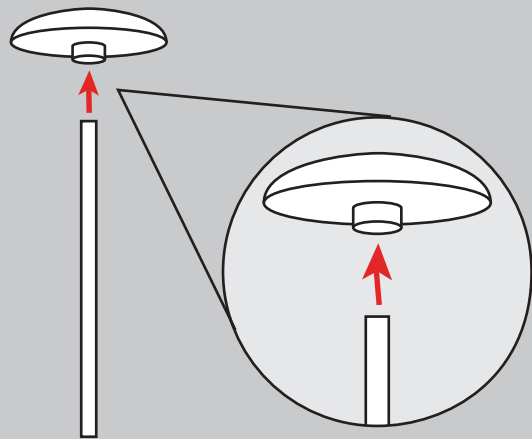


Additional Support Please Call:  
212-253-6666 or  
After Hours: 646-853-3900

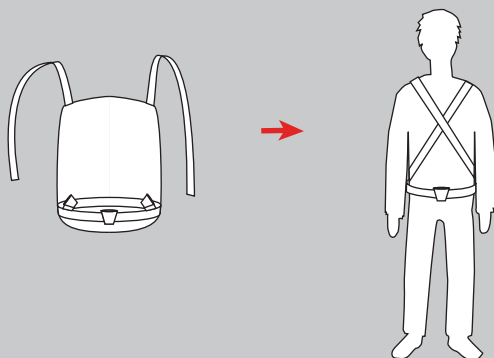
1. Please wash hands before handling the costumes. If you have long hair, pull it back into a low bun as it tends to get warm in the costumes.



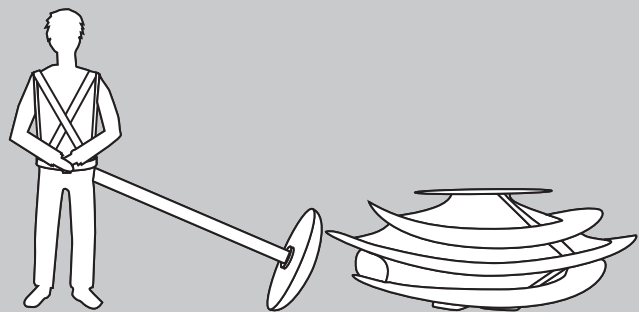
2. Insert the Hoopla pole into the coupling of the Hoopla head.



3. Strap the Hoopla backpack around you and adjust as needed.

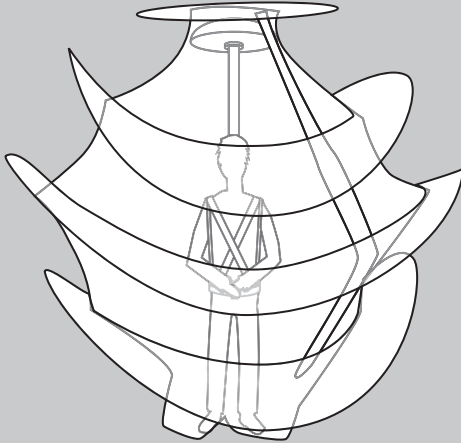


4. Place the Hoopla pole and head into the costume.

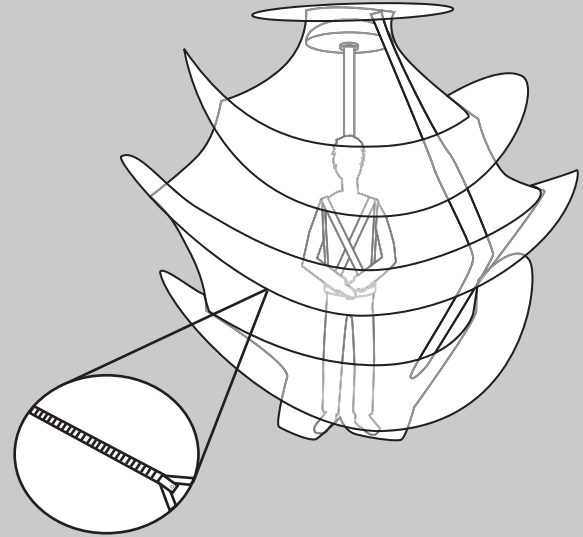


Any and all rights (including, without limitation, copyright, design patent, use patent and trademark) in and to all designs, concepts, renderings, or graphics (collectively, "Design") represented in this document were created by Pink Inc. and remain the sole and exclusive property of Pink Inc. Use of any such Design by the recipient without required purchase is strictly prohibited. ©2009

5. The Hoopla pole goes through two loops attached to the backpack and then sits inside the pocket at the bottom of the backpack.

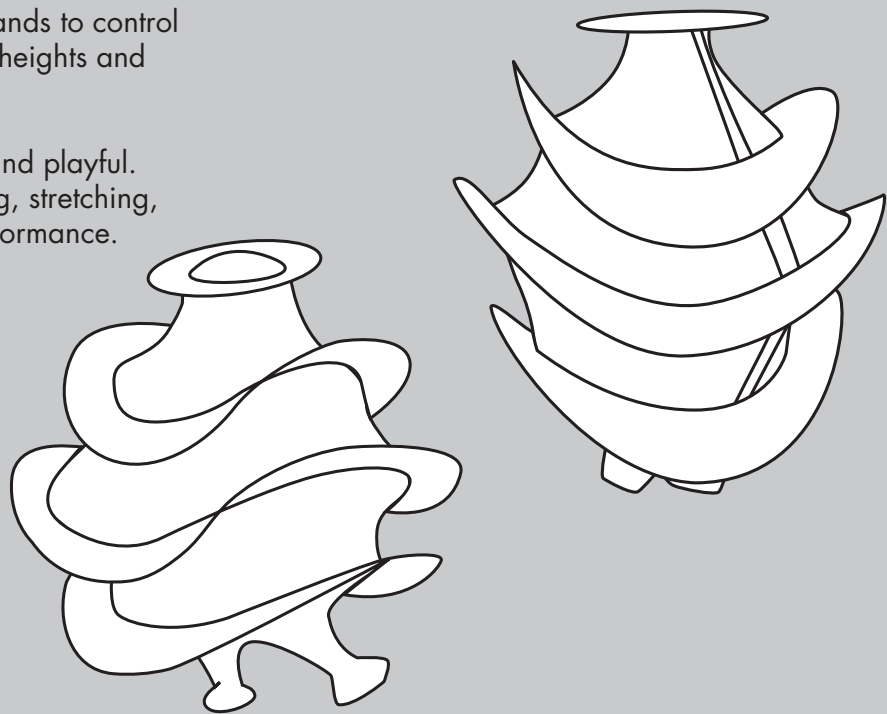


6. Zip the side closed before performing.



7. To manipulate, use your hands to control the Hoopla pole. Change heights and positions of the head.

Movement should be fun and playful. Include bouncing, creeping, stretching, and retracting in your performance.



Any and all rights (including, without limitation, copyright, design patent, use patent and trademark) in and to all designs, concepts, renderings, or graphics (collectively, "Design") represented in this document were created by Pink Inc. and remain the sole and exclusive property of Pink Inc. Use of any such Design by the recipient without required purchase is strictly prohibited. ©2009