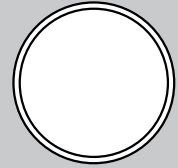


**PINK PROVIDES:**

- 1 4' Full Moon Fabric
- 1 Set of 4' Full Moon Metals
- Extra Pop Buttons

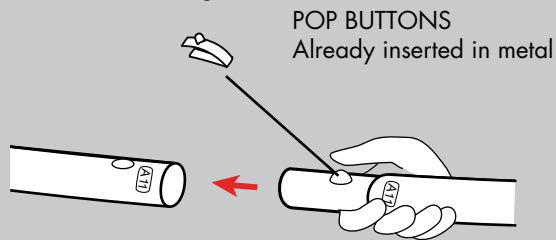
**YOU PROVIDE:**

- Site Plan/Event Layout
- Two Person Team
- Zip-Ties
- Shear or Diagonal Cutters
- Tie Line for Rigging
- Ladder
- Gloves
- Sewing Kit
- Plastic Drop Cloth

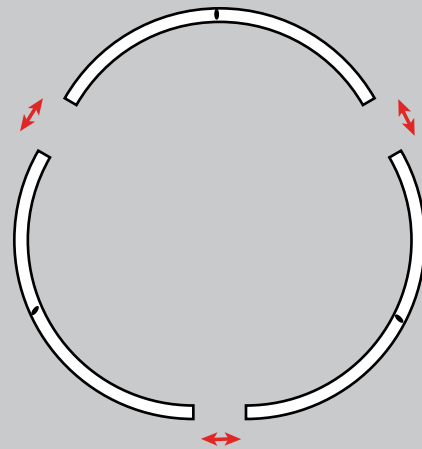


Additional Support Please Call:  
212-253-6666 or  
After Hours: 646-853-3900

Metals are labeled for easy assembly. Simply match the corresponding parts, depress the button, and slide together.

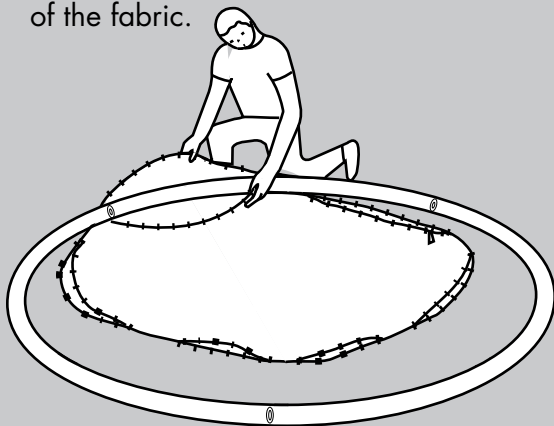


1. Assemble the curved metal pieces into a circle.

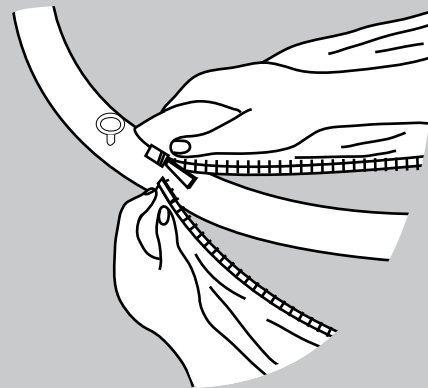


Prior to assembly, lay out drop cloth in designated work location. Before working with fabric, wash hands or put on gloves. A minimum of 10' x 10' working area is required.

2. Lay the fabric on the clean drop cloth. Make sure the top of the fabric is underneath with the seams facing up. Place the completed metal circle on top of the fabric.

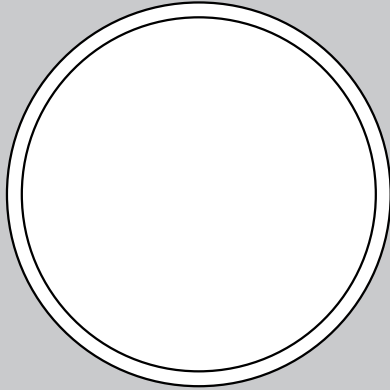


3. Find the zippers at the edges of the fabric. There are three zippers, one between each two eye-bolts. Zip them closed, working your way around the circle.

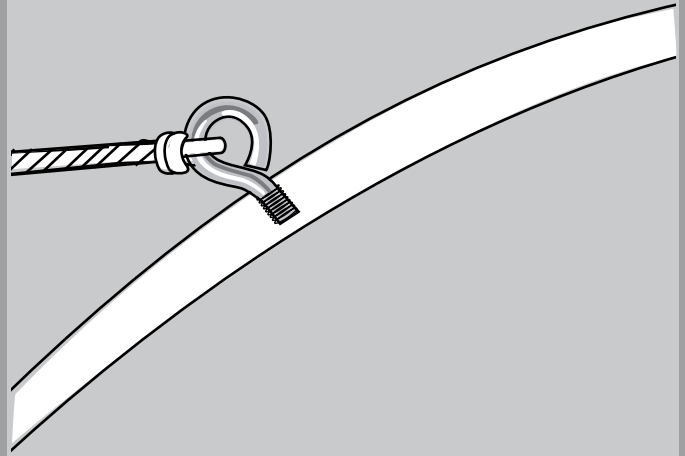


Any and all rights (including, without limitation, copyright, design patent, use patent and trademark) in and to all designs, concepts, renderings, or graphics (collectively, "Design") represented in this document were created by Moss Inc. and remain the sole and exclusive property of Moss Inc. Use of any such Design by the recipient without required purchase is strictly prohibited. ©2010

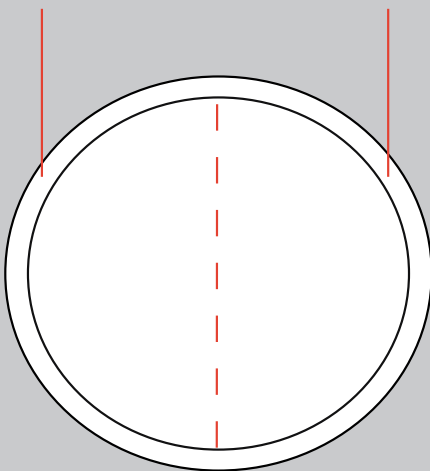
4. Once all the zippers are closed, the Full Moon is complete.



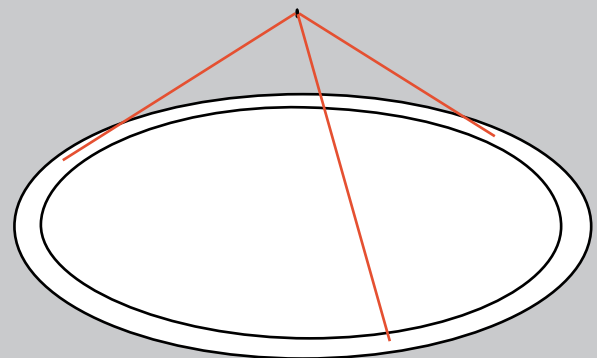
5. Locate your rigging points. Use the attached eyebolts as tie points.



- 6a. Vertical Rigging: Add cable or tie line as shown below. If circle becomes oval shaped, add a line indicated by dashed line below.



- 6b. Horizontal Rigging: Use zip-ties to add pre-cut lines to the 3 rigging points.



Any and all rights (including, without limitation, copyright, design patent, use patent and trademark) in and to all designs, concepts, renderings, or graphics (collectively, "Design") represented in this document were created by Moss Inc. and remain the sole and exclusive property of Moss Inc. Use of any such Design by the recipient without required purchase is strictly prohibited. ©2010

#### Note on disassembly:

Detach the metals at the opening in the runner. To remove pipes, slide the fabric back around the pipes.

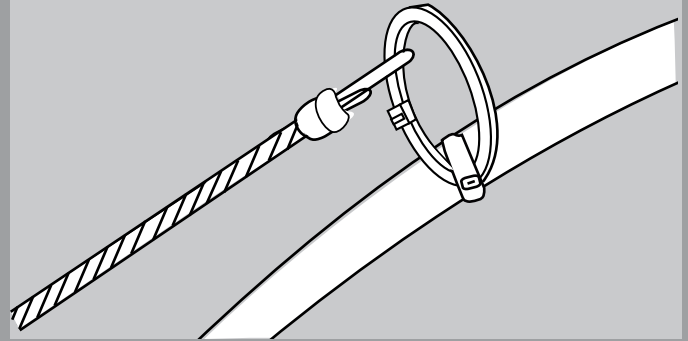
Never tape metals together.

Check fabric for stains before returning to the bag.

#### Trouble Shooting

- If an eye-bolt is missing:

\* Attach a zip-tie around the metal and before tightening completely, create a loop using another zip-tie. Tighten the first one. Then connect tie-line to the loop created by the second zip-tie.



#### Final Note:

##### Metals:

After use, dismantle. Each metal is labeled; place back in the corresponding labeled bag. If possible, zip-tie pieces together.

Under NO circumstances should the metals be taped to one another.

##### Fabric:

Each fabric is labeled on the Pink Inc. tag and should be placed back in the corresponding labeled bag.

Any and all rights (including, without limitation, copyright, design patent, use patent and trademark) in and to all designs, concepts, renderings, or graphics (collectively, "Design") represented in this document were created by Moss Inc. and remain the sole and exclusive property of Moss Inc. Use of any such Design by the recipient without required purchase is strictly prohibited. ©2010