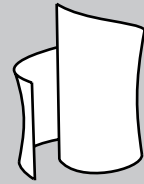


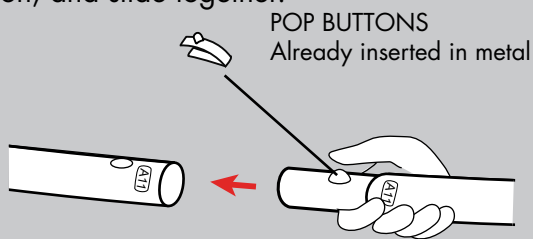
PINK PROVIDES:
1 Set of Spiral Wall Metals
1 Spiral Wall Fabric
Extra Pop Buttons

YOU PROVIDE:
Site Plan/Event Layout
Three Person Team
1 Ladder
Allen Key Set



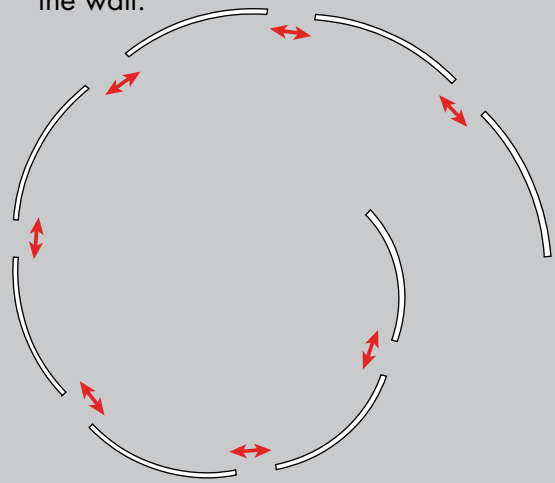
Additional Support Please Call:
212-253-6666 or
After Hours: 646-853-3900

Metals are labeled for easy assembly. Simply match the corresponding parts, depress the button, and slide together.

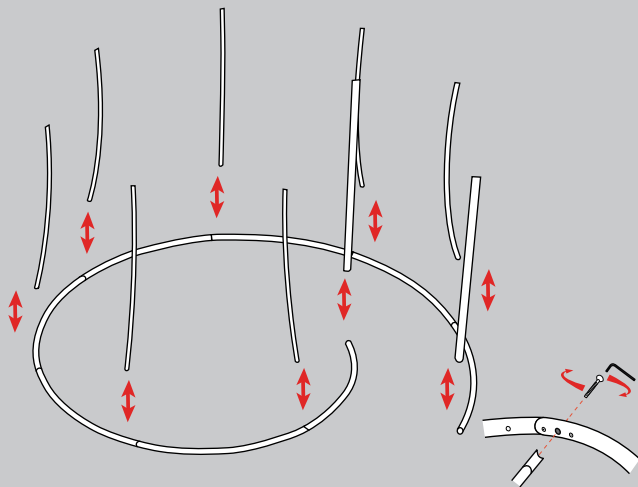


Prior to assembly, lay out drop cloth in designated work location. Before working with fabric, wash hands or put on gloves.

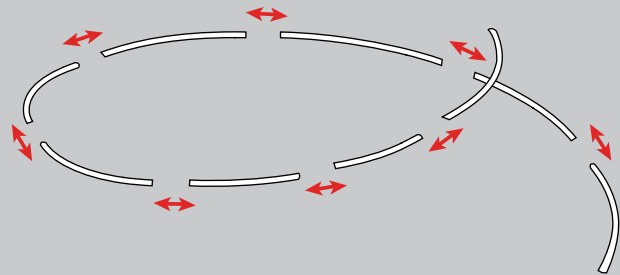
1. There is a set of 8 shock-corded curved pieces. Join these first to create the base of the wall.



2. Connect the base to the lower halves of the vertical supports using an allen key.

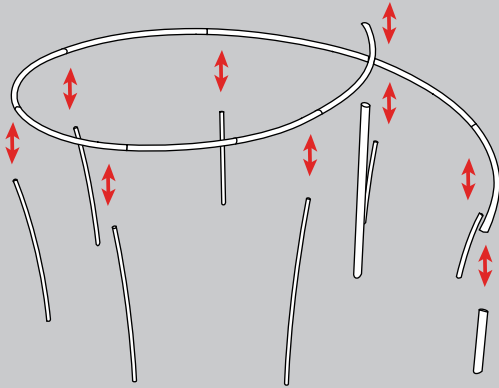


3. The set of 8 shock-corded curved pieces is the top of the wall. The wall curves down at one end to meet the base.

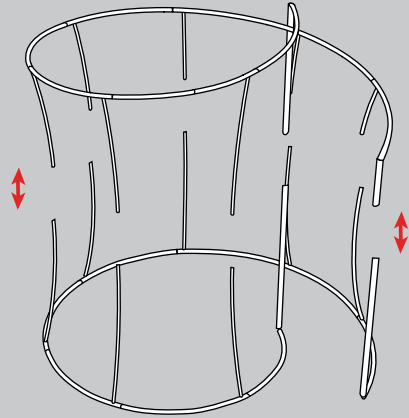


Any and all rights (including, without limitation, copyright, design patent, use patent and trademark) in and to all designs, concepts, renderings, or graphics (collectively, "Design") represented in this document were created by Moss Inc. and remain the sole and exclusive property of Moss Inc. Use of any such Design by the recipient without required purchase is strictly prohibited. ©2010

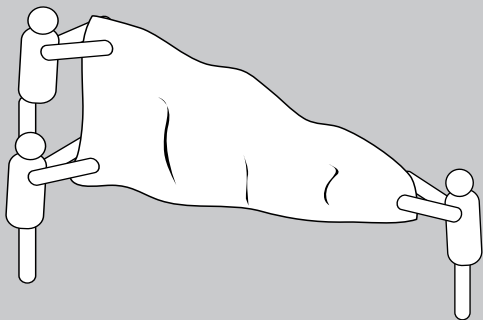
4. Connect the top of the wall to the upper halves of the vertical supports using an allen key.



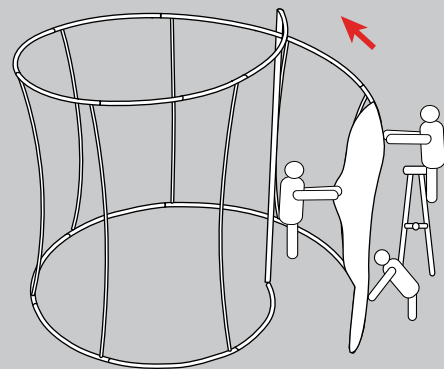
5. Have two people lift the top half of the frame while a third connects the two halves of the vertical supports.



6. After assembling the metals, locate the fabric, spread it out and unzip it. The zipper runs from bottom to top along the side of the Spiral Wall. Where the zipper ends after unzipping is the bottom edge.

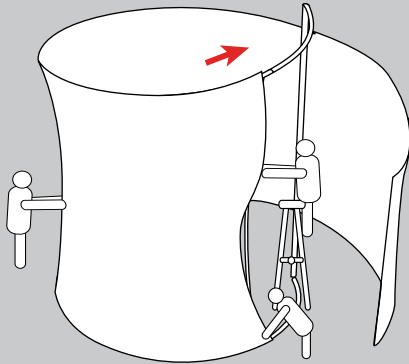


7. Begin sliding the fabric onto the shortest end of the frame. Remember that the person who has the zipper should run along the bottom edge. The last person should hold the fabric in a pile off the ground.

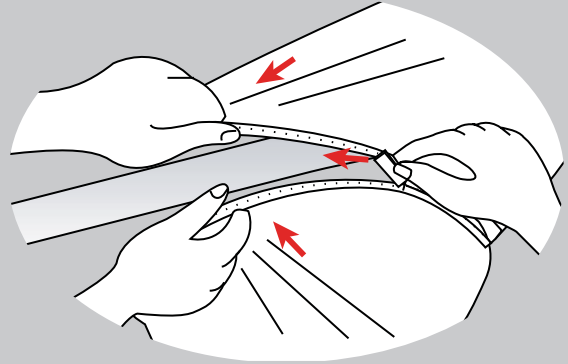


Any and all rights (including, without limitation, copyright, design patent, use patent and trademark) in and to all designs, concepts, renderings, or graphics (collectively, "Design") represented in this document were created by Moss Inc. and remain the sole and exclusive property of Moss Inc. Use of any such Design by the recipient without required purchase is strictly prohibited. ©2010

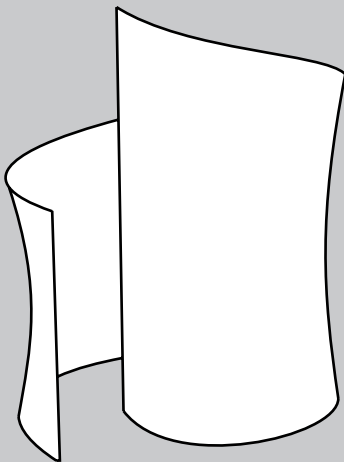
8. Continue sliding fabric onto the frame. When all the fabric is over the frame, zip it closed.



9. Have one person pull the fabric over the metal while another one zips. The fabric is strong, so we encourage pulling hard!



10. Zip up completely and straighten seams as needed. The Spiral Wall is now complete.



Final Note:

Metals:

After use, dismantle. Each metal is labeled; place back in the corresponding labeled bag. If possible, zip tie structures together.

Under NO circumstances should the metals be taped to one another.

Fabric:

Each fabric is labeled on the Pink Inc. tag and should be placed back in the corresponding labeled bag.

Any and all rights (including, without limitation, copyright, design patent, use patent and trademark) in and to all designs, concepts, renderings, or graphics (collectively, "Design") represented in this document were created by Moss Inc. and remain the sole and exclusive property of Moss Inc. Use of any such Design by the recipient without required purchase is strictly prohibited. ©2010