

PINK PROVIDES:

- 1 Stalagtite Fabric
- 1 Pole and Base Cover

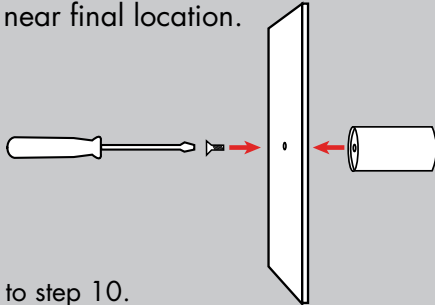
YOU PROVIDE:

- 18' Auto-Pole and Base Plate or Tie line if rigging
- Site Plan/Event Layout
- Two Person Team
- Shears or Diagonal Cutters
- Gloves
- Sewing Kit
- Plastic Drop Cloth
- Zip-Ties



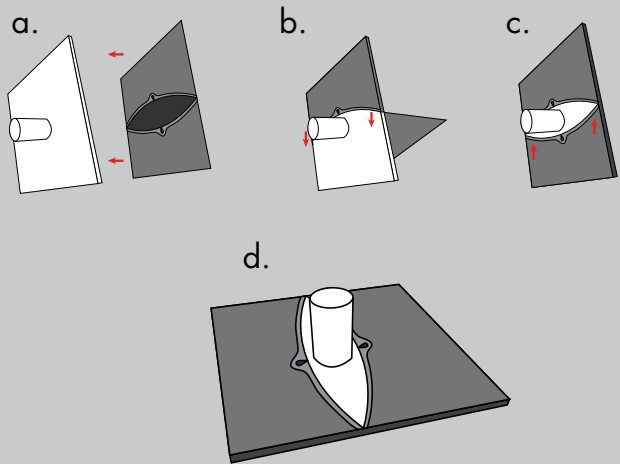
Additional Support Please Call:
212-253-6666 or
After Hours: 646-853-3900

If base plate is not assembled, assemble with nipple. Place near final location.

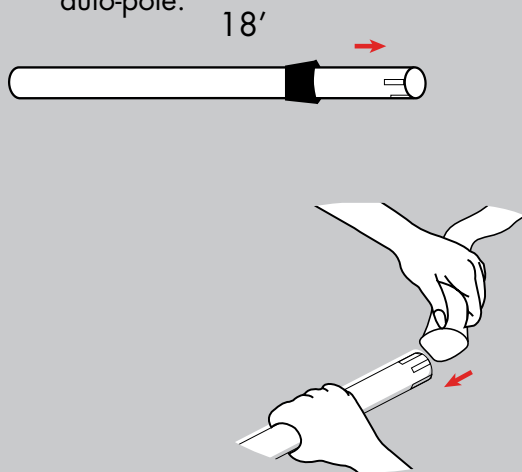


If rigging, skip to step 10.

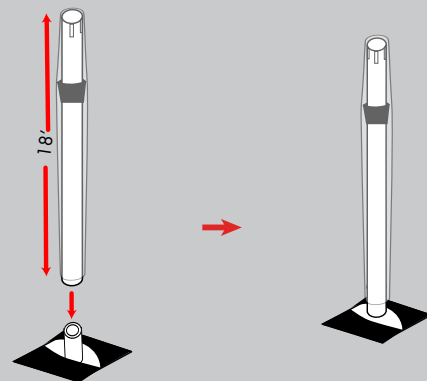
1. Place the base cover onto the base plate as indicated below.



2. Preset the auto-pole to the correct height. Then slide the pole cover over the auto-pole.

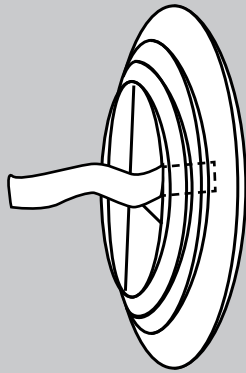


3. Place auto-pole onto assembled base plate. The auto-pole should be preset to the correct height and covered.

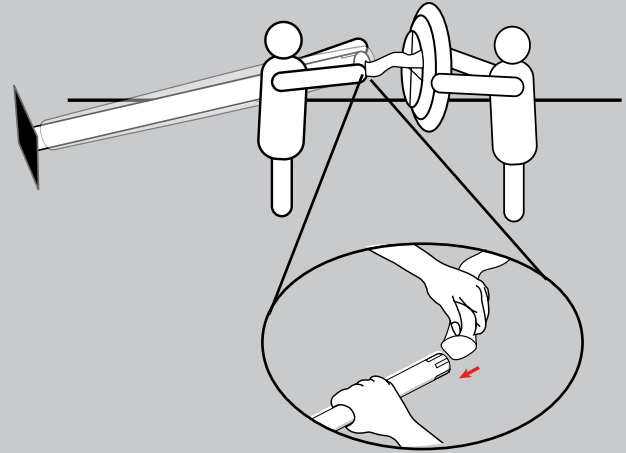


Any and all rights (including, without limitation, copyright, design patent, use patent and trademark) in and to all designs, concepts, renderings, or graphics (collectively, "Design") represented in this document were created by Moss Inc. and remain the sole and exclusive property of Moss Inc. Use of any such Design by the recipient without required purchase is strictly prohibited. ©2010

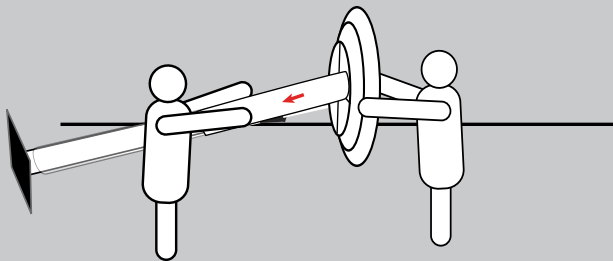
4. Locate the fabric. Inside is a pole sock that is attached to the center of the top. Keep the Stalagmite flat but pull the sock out through the bottom.



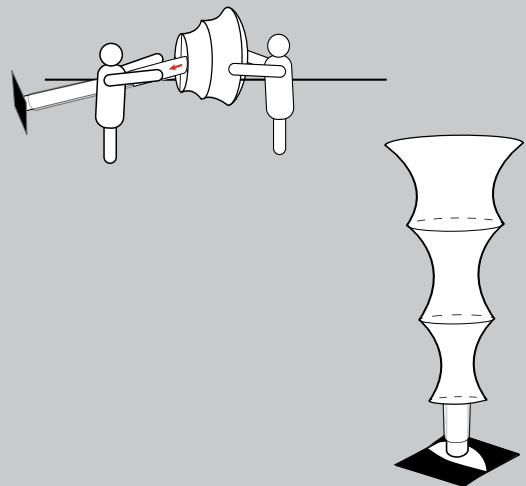
5. Have one person tilt the auto-pole and be ready to take the sock. The other person should hold the Stalagmite at the end of the pole.



6. Pull the sock as far as it will go down the pole. You will feel resistance when the pole reaches the top.

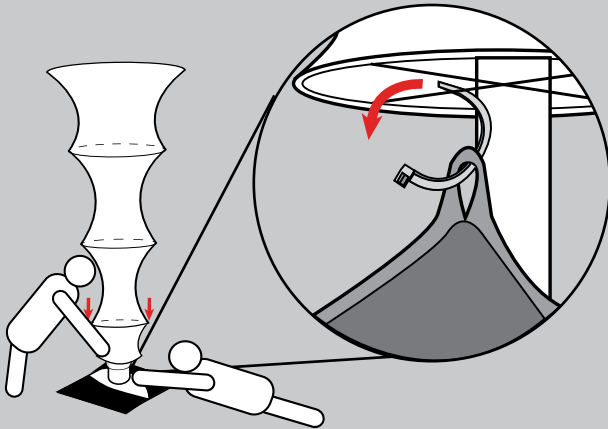


7. Start sliding the Stalagmite down over the pole. Stand the pole.

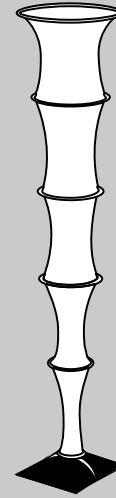


Any and all rights (including, without limitation, copyright, design patent, use patent and trademark) in and to all designs, concepts, renderings, or graphics (collectively, "Design") represented in this document were created by Moss Inc. and remain the sole and exclusive property of Moss Inc. Use of any such Design by the recipient without required purchase is strictly prohibited. ©2010

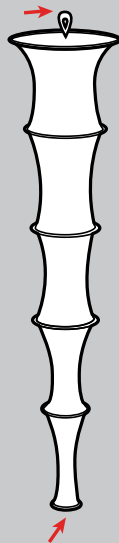
8. To finish the Stalagtite, have one person hold the base of the fabric down while the other zip-ties the base cover to the pre-existing zip-ties or strings. Use 4 zip-ties.



9. After it is zip-tied, the Stalagtite is finished.



10. The Stalagtite can be rigged by attaching tie line to the loop located at the top and the crossed lines at the bottom. Be sure it is stretched to its full length.



Loops exaggerated in drawing.

Trouble Shooting:

- If fabric appears wrinkled:
* Stretch the pole higher.
- If the top appears over-stretched:
* Shorten the pole.
- If the bottom is not on one plane:
* Add zip-ties between the base of the fabric and the base cover to areas that appear higher.

Any and all rights (including, without limitation, copyright, design patent, use patent and trademark) in and to all designs, concepts, renderings, or graphics (collectively, "Design") represented in this document were created by Moss Inc. and remain the sole and exclusive property of Moss Inc. Use of any such Design by the recipient without required purchase is strictly prohibited. ©2010