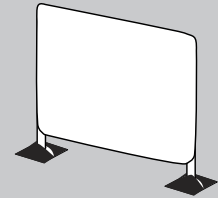


**PINK PROVIDES:**

- 1 White Out Wall Fabric
- 2 Black Base Covers
- 2 Pipe and Base Clamps

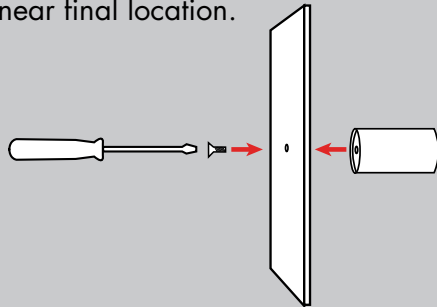
**YOU PROVIDE:**

- 2 10' - 16' Auto-Poles
- 2 Base Plates
- 2 Cross Bars
- Two Person Team
- Plastic Drop Cloth



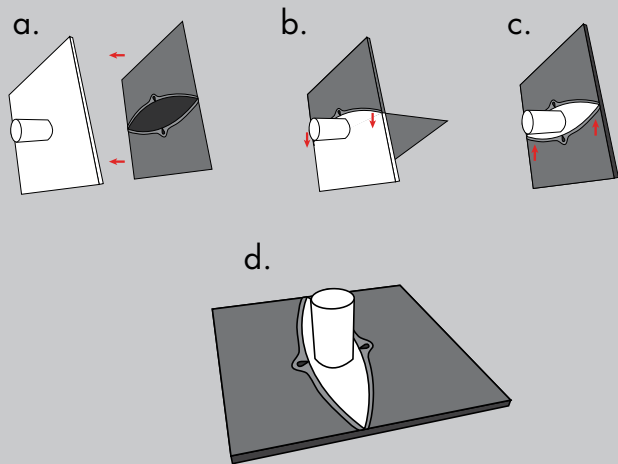
Additional Support Please Call:  
212-253-6666 or  
After Hours: 646-853-3900

If base plate is not assembled, assemble with nipple. Place near final location.

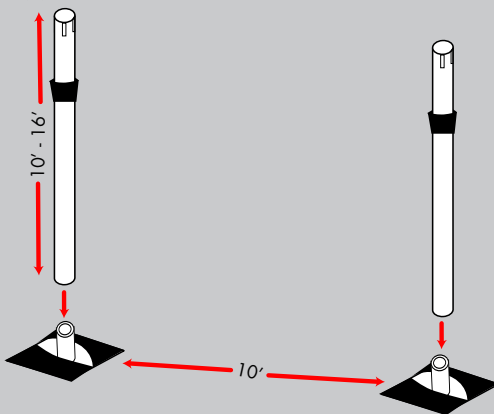


Prior to assembly, lay out drop cloth in designated work location. Before working with fabric, wash hands or put on gloves.

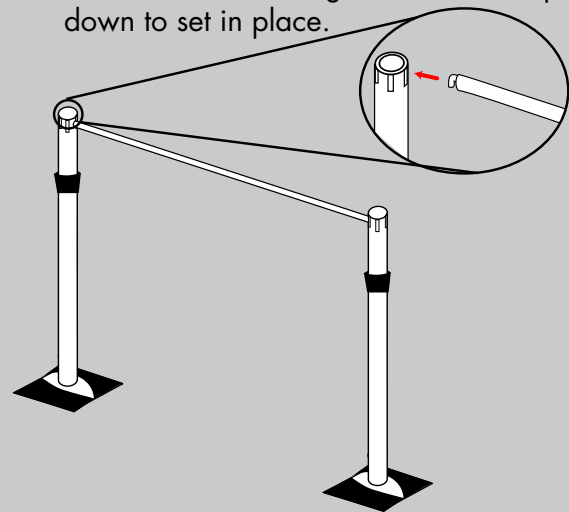
1. Place the base covers onto the 2 base plates as indicated below:



2. Place auto-poles onto pre-assembled base plates. The base plates should be 10' apart and the auto-poles should be set at 10' - 16' height, depending on the Wall ordered.

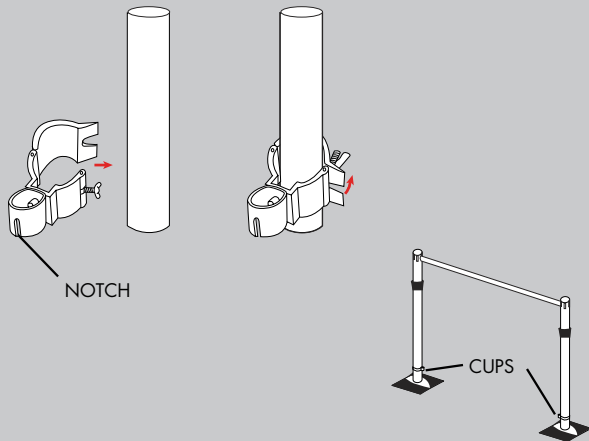


3. Place the cross bar onto the poles. The bar should slide into the groove and then push down to set in place.

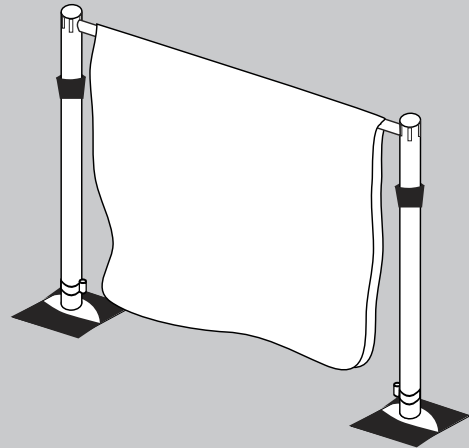


Any and all rights (including, without limitation, copyright, design patent, use patent and trademark) in and to all designs, concepts, renderings, or graphics (collectively, "Design") represented in this document were created by Moss Inc. and remain the sole and exclusive property of Moss Inc. Use of any such Design by the recipient without required purchase is strictly prohibited. ©2010

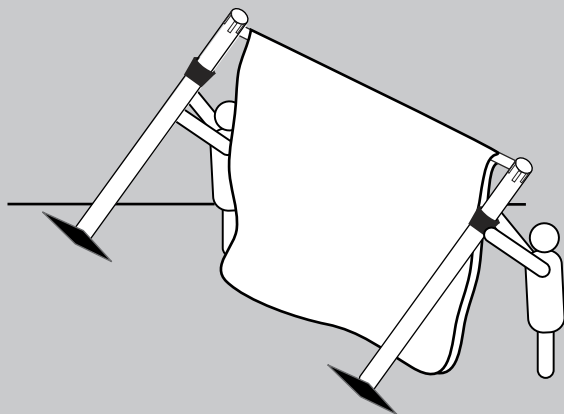
4. Put one clamp onto each auto-pole. Secure by tightening the wing nut. Make sure that the cup attachments are facing one another and that the notch is pointed down as shown.



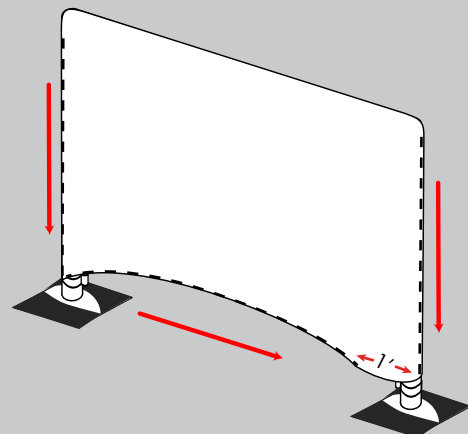
5. Drape the fabric over the cross bar so that the zippers run parallel to the auto-poles and to the ground.



6. Have both people tilt the frame towards them in order to reach and zip the sides. As you zip the sides, tilt the frame back into place.

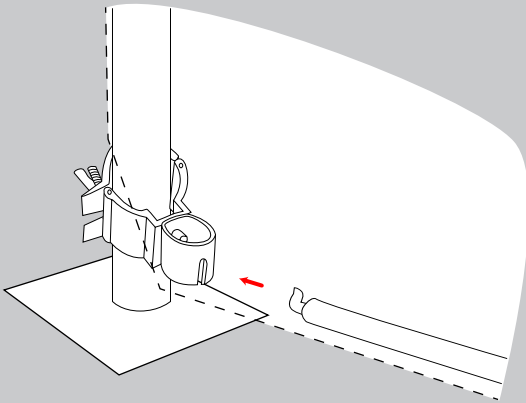


7. After zipping the sides and returning the wall to upright position, zip bottom, leaving about a foot open at the end so you can slide the bottom cross bar.

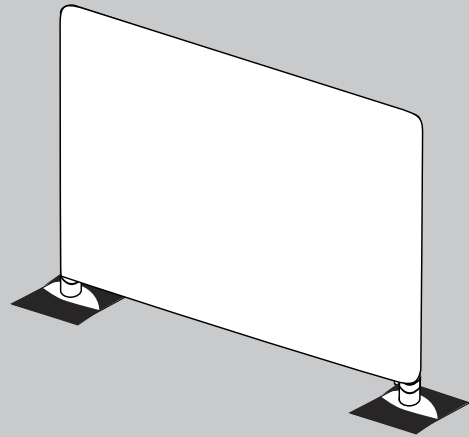


Any and all rights (including, without limitation, copyright, design patent, use patent and trademark) in and to all designs, concepts, renderings, or graphics (collectively, "Design") represented in this document were created by Moss Inc. and remain the sole and exclusive property of Moss Inc. Use of any such Design by the recipient without required purchase is strictly prohibited. ©2010

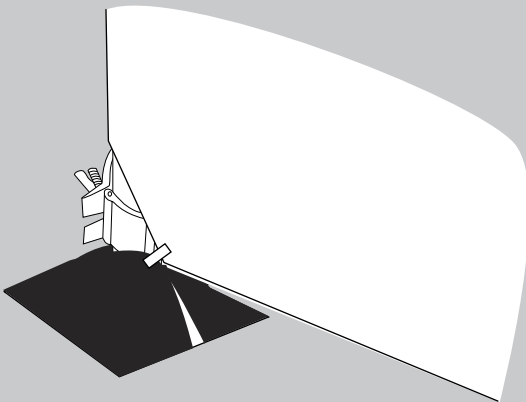
8. Slide the cross bar along the bottom inside the fabric. When the hook reaches the clamp, snap both hooks into the respective clamp's notches.



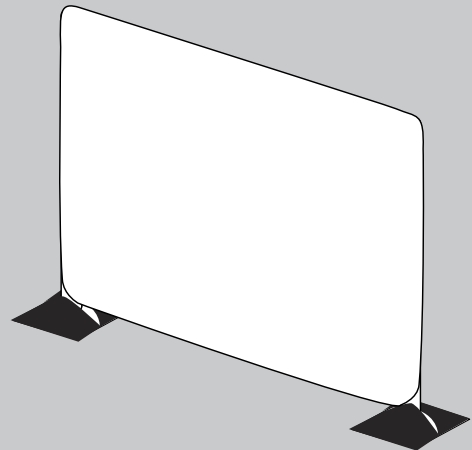
9. Zip the remaining 1' of the bottom zipper. The Wall should now appear rectangular.



10. Connect the loops on the bottom corners of the White Out Wall to the base cover using zip-ties.



11. The White Out Wall is now complete.



Any and all rights (including, without limitation, copyright, design patent, use patent and trademark) in and to all designs, concepts, renderings, or graphics (collectively, "Design") represented in this document were created by Moss Inc. and remain the sole and exclusive property of Moss Inc. Use of any such Design by the recipient without required purchase is strictly prohibited. ©2010