

ASTERIX

Fabrics for all Asterixes are pillowcased.

All rentals available in white.

Some color rentals available, please call for sizes and availability.

For purchases, color to be chosen from standard Pink Décor Swatch Card, or custom printed.

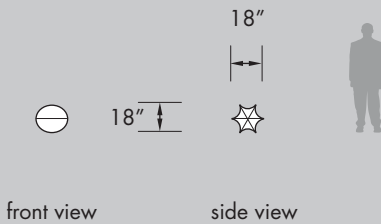
Fabrics for all Asterixes are flame retardant and meet NFPA 701 small scale; class A.

18" and 3' Asterix structures are pre-piped with plastic.

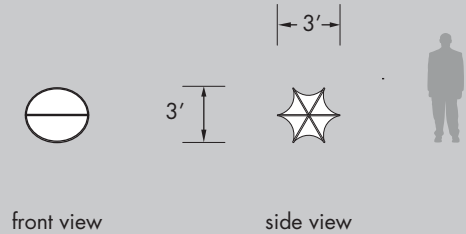
6' Asterix structure is piped with fiberglass.

12' Asterix structure is piped with PVC which can be purchased on location rather than incur the cost of a heavier shipment.

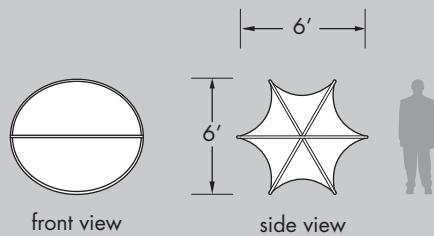
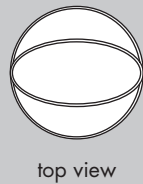
18" ASTERIX



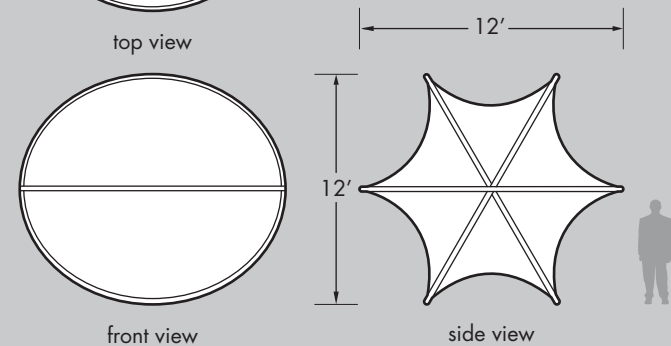
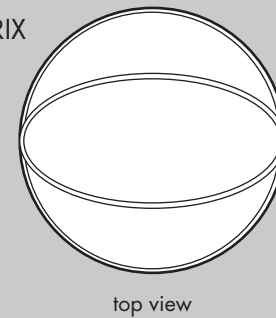
3' ASTERIX



6' ASTERIX



12' ASTERIX



Asterix Size:	18"	3'	6'	12'
Approx. Weight:	5 lbs	10 lbs	12 lbs	45 lbs
# Fabric Bags:	1	1	1	1
Fabric Bag Size: (Length x Circumf.)	11" x 18"	18" x 32"	14" x 29"	21" x 52"
Crew Members:	1	1	2	3
Time Needed:	15 min	20 min	35 min	40 min

Any and all rights (including, without limitation, copyright, design patent, use patent and trademark) in and to all designs, concepts, renderings, or graphics (collectively, "Design") represented in this document were created by Moss Inc. and remain the sole and exclusive property of Moss Inc. Use of any such Design by the recipient without required purchase is strictly prohibited. ©2010

SALES & DESIGN: 1501 Broadway | New York, NY 10036

SHIPPING: 78 Henry St. Suite A | Secaucus, NJ 07094

p: 212.253.6666 | f: 212.253.6646

e: info@pinkincworldwide.com | w: pinkincdesign.com

