

FLEXI TUNNEL

Flexi Tunnel is piped with PVC which can be purchased on location rather than incur the cost of a heavier shipment.

Top spreaders are made out of 1.25" aluminum.

Rentals available in white, cherry, and licorice.

For purchases, color to be chosen from standard Pink Décor Swatch Card, or custom printed.

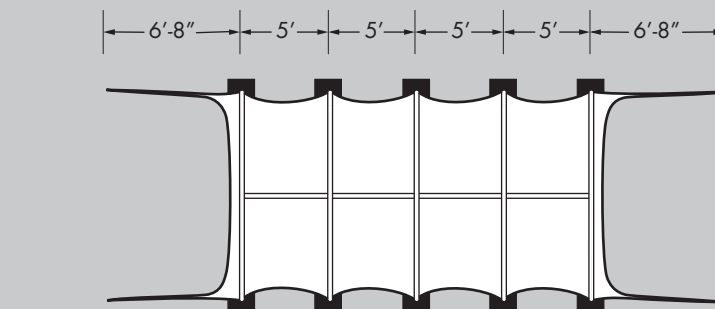
Fabric for Flexi Tunnel is flame retardant and meets NFPA 701 small scale; class A.

Flexi Tunnel requires 10 baseplates.

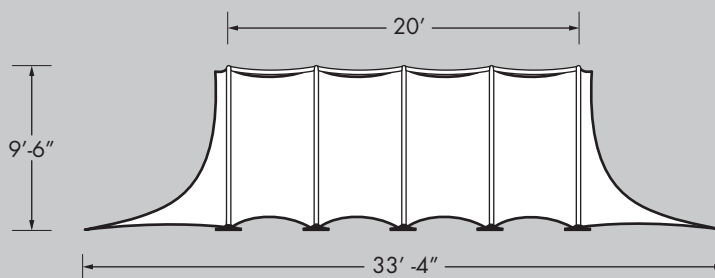
Flexi Tunnel requires 4 sandbags or weights.

Pink does not supply pipe, base or sandbags. Pipe and base can be sourced locally.

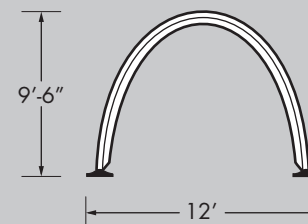
Footprint and overhead are not equal, please see measurements for exact tunnel.



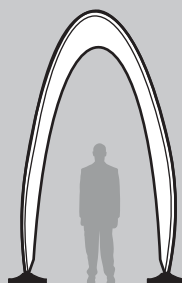
top view



side view



front view



6' wide x 11' tall



12' wide x 9'6" tall

examples of variance

WIDTH:	HEIGHT:
6'	11'
7'	10' -9"
8'	10' -6"
9'	10' -3"
10'	10'
11'	9' -9"
12'	9' -6"
13'	9' -3"
14'	9'

Product:	Approx. Fabric Bag Size:	Crew	Time
Weight: (Length x Circumf.)		Members:	Needed:
Flexi Tunnel	65 lbs 30" x 60"	4	45 min

Any and all rights (including, without limitation, copyright, design patent, use patent and trademark) in and to all designs, concepts, renderings, or graphics (collectively, "Design") represented in this document were created by Moss Inc. and remain the sole and exclusive property of Moss Inc. Use of any such Design by the recipient without required purchase is strictly prohibited. ©2010

**SALES & DESIGN:** 1501 Broadway | New York, NY 10036

**SHIPPING:** 78 Henry St. Suite A | Secaucus, NJ 07094

**p:** 212.253.6666 | **f:** 212.253.6646

**e:** info@pinkincworldwide.com | **w:** pinkincdesign.com