

SPHERE CUBE ON POINT DOME

All rentals available in white.

For purchases, color to be chosen from standard Pink Décor Swatch Card, or custom printed.

Fabrics for all structures are flame retardant and meet NFPA 701 small scale; class A.

Fabrics for all structures are pillow-cased.

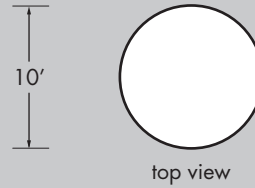
Inflated form for Sphere requires electricity.

Cube On Point structure consists of 2" aluminum frame.

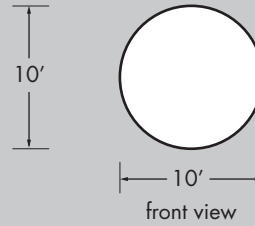
Cube On Point requires 150 lbs of sandbags or weights.

Dome structure consists of 1.25" aluminum frame.

SPHERE

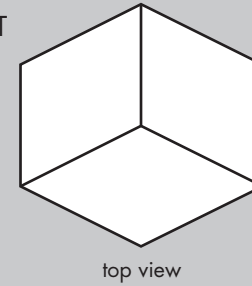


top view

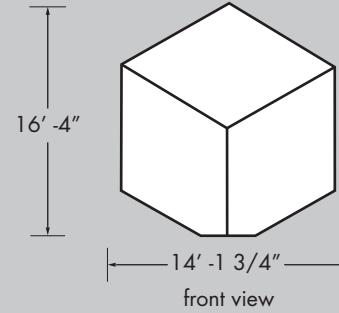


front view

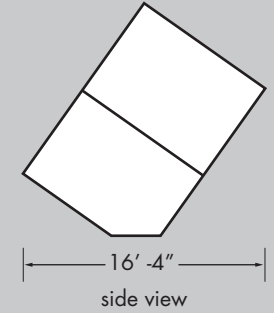
CUBE ON POINT



top view



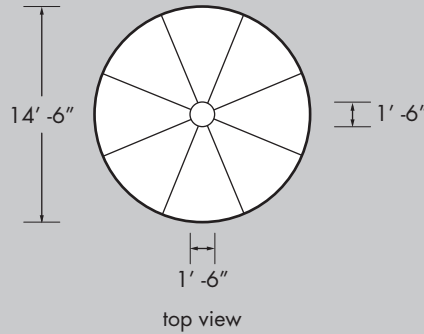
front view



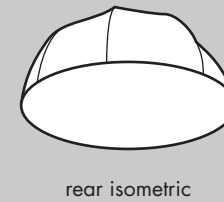
side view



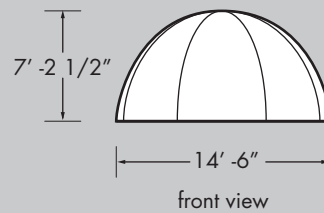
DOME



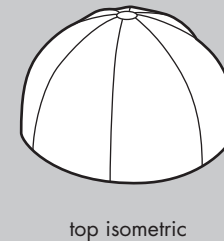
top view



rear isometric



front view



top isometric



Product:	Sphere	Cube on Point	Dome
Approx. Weight:	46 lbs	96 lbs	60 lbs
# Metal Bags:	1*	2	1
Metals Bag Size: (Length x Dia.)	N/A	84" x 15"; 78" x 12"	70" x 32"
# Fabric Bags:	1	1	2
Fabric Bag Size: (Length x Circumf.)	20" x 38"	24" x 60"	18" x 40"; 12" x 36"
Crew Members:	2	4	2
Time Needed:	35 min	90 min	45 min

* Main part of Sphere comes in Buckhorn box - 28" (length) x 21" (width) x 16" (height.)

Any and all rights (including, without limitation, copyright, design patent, use patent and trademark) in and to all designs, concepts, renderings, or graphics (collectively, "Design") represented in this document were created by Moss Inc. and remain the sole and exclusive property of Moss Inc. Use of any such Design by the recipient without required purchase is strictly prohibited. ©2010

SALES & DESIGN: 1501 Broadway | New York, NY 10036

SHIPPING: 78 Henry St. Suite A | Secaucus, NJ 07094

p: 212.253.6666 | f: 212.253.6646

e: info@pinkincworldwide.com | w: pinkincdesign.com