

PROJECTION SCREEN

Fabrics for all Projection Screens are single-skin to allow for front or rear projection.

All rentals available in white.

Some color rentals available, please call for sizes and availability.

For purchases, color to be chosen from standard Pink Inc. Décor Swatch Card, or custom printed.

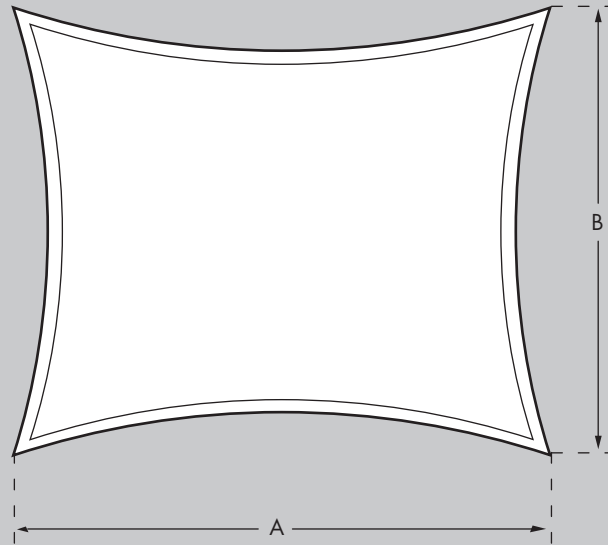
Fabrics for all Projection Screens are flame retardant and meet NFPA 701 small scale; class A.

All Projection Screens require 2 people for assembly and approximately 30 minutes.

Rigged on-site from loops at each point of the structure.

All Projection Screens are suspended structures.

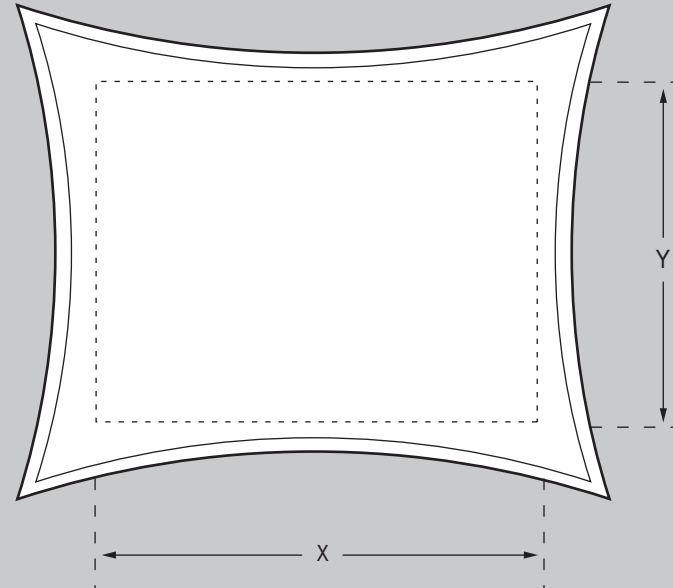
Fabric is pulled; this means sizes are slightly flexible to fit client needs.



sizes and projection areas

PROJECTION SCREEN SIZE A x B:	PROJECTION AREA X x Y:
8' X 6'	6.5' X 4.5'
12' X 9'	9.5' X 6.5'
14' X 11'	12' X 9'
20' X 15'	16' X 13'

projection area



Any and all rights (including, without limitation, copyright, design patent, use patent and trademark) in and to all designs, concepts, renderings, or graphics (collectively, "Design") represented in this document were created by Pink Inc. and remain the sole and exclusive property of Pink Inc. Use of any such Design by the recipient without required purchase is strictly prohibited. ©2009