

SPAN

Span structure consists of 1.25" aluminum frame with pillow-cased fabric.

All rentals available in white.

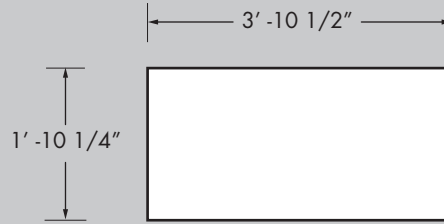
Some color rentals available, please call for sizes and availability.

For purchases, color to be chosen from standard Pink Décor Swatch Card, or custom printed.

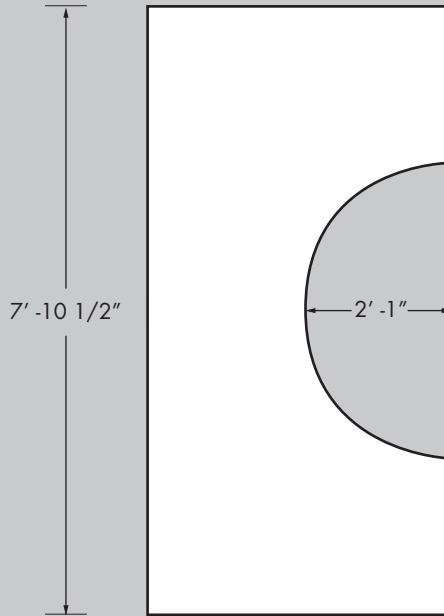
Fabric for Span is flame retardant and meets NFPA 701 small scale; class A.

Clamps available for rigging structure.

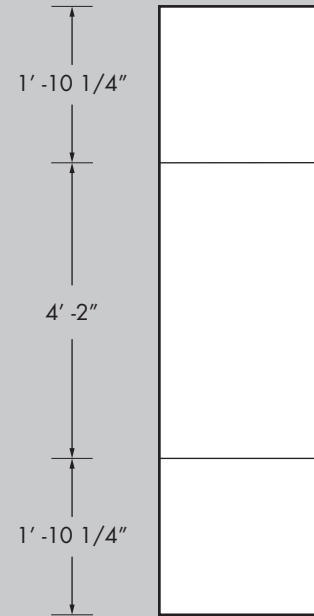
SPAN



top view



front view



side view



Product:	Span
Approx. Weight:	27 lbs
# Metal Bags:	1
Metals Bag Size: (Length x Dia.)	63" x 13"
# Fabric Bags:	1
Fabric Bag Size: (Length x Circumf.)	14" x 29"
Crew Members:	2
Time Needed:	40 min

Any and all rights (including, without limitation, copyright, design patent, use patent and trademark) in and to all designs, concepts, renderings, or graphics (collectively, "Design") represented in this document were created by Moss Inc. and remain the sole and exclusive property of Moss Inc. Use of any such Design by the recipient without required purchase is strictly prohibited. ©2010

SALES & DESIGN: 1501 Broadway | New York, NY 10036

SHIPPING: 78 Henry St. Suite A | Secaucus, NJ 07094

p: 212.253.6666 | f: 212.253.6646

e: info@pinkincworldwide.com | w: pinkincdesign.com

