

WAVE TUNNEL

The Wave Tunnel structure consists of 2" aluminum frame with pillow-cased fabric.

All rentals available in white.

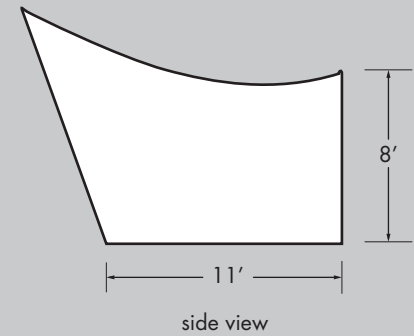
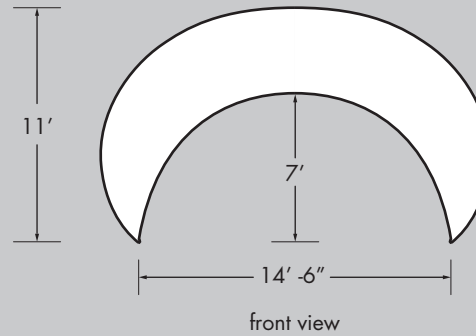
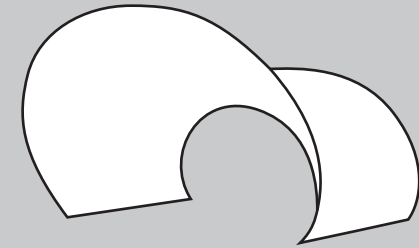
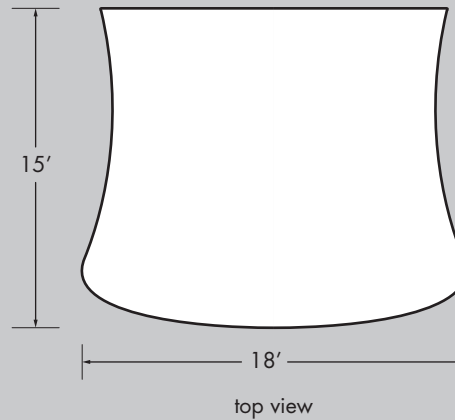
For purchases, color to be chosen from standard Pink Décor Swatch Card, or custom printed.

Fabric for Wave Tunnel is flame retardant and meets NFPA 701 small scale; class A.

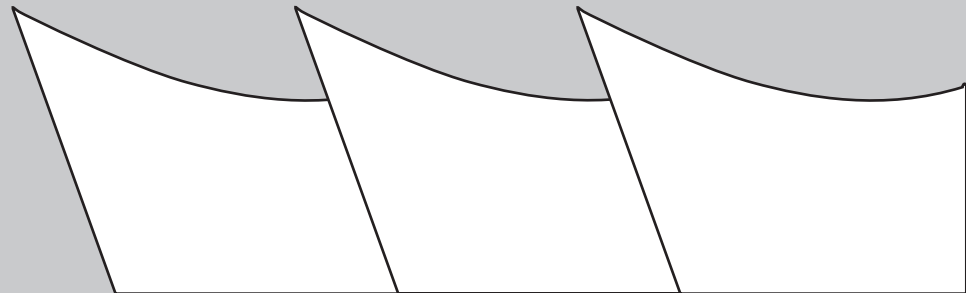
Clamps available for rigging structure.

Footprint and overhead are not equal, please see measurements for exact tunnel.

WAVE TUNNEL



NESTLED CONFIGURATION



Product:	Wave Tunnel
Approx. Weight:	50 lbs
# Metal Bags:	1
Metal Bag Size:	78" x 18"
(Length x Dia.)	
# Fabric Bags:	1
Fabric Bag Size:	27" x 55"
(Length x Circumf.)	
Crew Members:	4
Time Needed:	60 min

Any and all rights (including, without limitation, copyright, design patent, use patent and trademark) in and to all designs, concepts, renderings, or graphics (collectively, "Design") represented in this document were created by Moss Inc. and remain the sole and exclusive property of Moss Inc. Use of any such Design by the recipient without required purchase is strictly prohibited. ©2010

SALES & DESIGN: 1501 Broadway | New York, NY 10036

SHIPPING: 78 Henry St. Suite A | Secaucus, NJ 07094

p: 212.253.6666 | f: 212.253.6646

e: info@pinkincworldwide.com | w: pinkincdesign.com

