

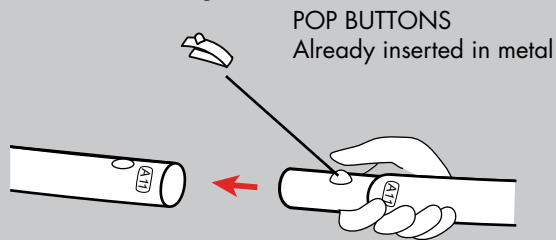
**PINK PROVIDES:**  
1 Set of Prism Metals  
1 Prism Fabric  
Extra Pop Buttons

**YOU PROVIDE:**  
Site Plan/Event Layout  
Two Person Team  
Gloves  
Sewing Kit  
Plastic Drop Cloth  
Allen Key Set



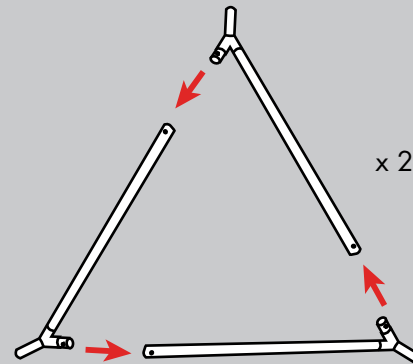
Additional Support Please Call:  
212-253-6666 or  
After Hours: 646-853-3900

Metals are labeled for easy assembly. Simply match the corresponding parts, depress the button, and slide together.

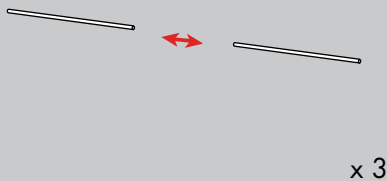


Prior to assembly, lay out drop cloth in designated work location. Before working with fabric, wash hands or put on gloves.

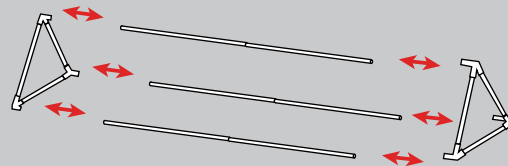
1. Locate and attach the smallest metals in the group, shown below. They will form the two triangular bases of the Prism.



2. Join together the longer straight pieces that form the three vertical edges of the Prism.

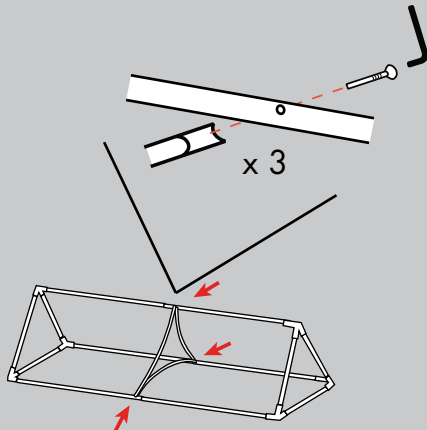


3. Attach the ends of the pieces in step 2 to the corresponding ends of the triangular bases from step 1.

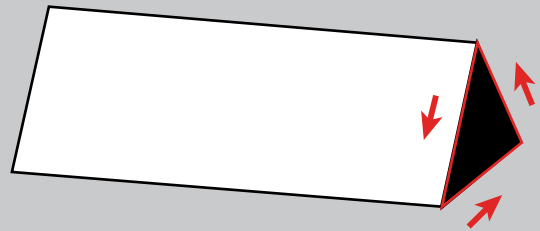


Any and all rights (including, without limitation, copyright, design patent, use patent and trademark) in and to all designs, concepts, renderings, or graphics (collectively, "Design") represented in this document were created by Moss Inc. and remain the sole and exclusive property of Moss Inc. Use of any such Design by the recipient without required purchase is strictly prohibited. ©2010

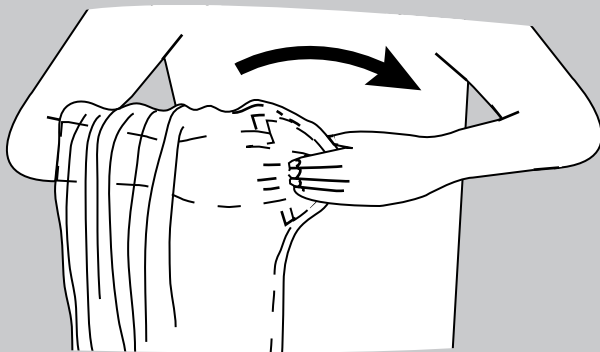
4. The remaining three curved metals will form the central support of the Prism. Attach each to its corresponding holes at the centers of the side edges of the frame using an allen key.



5. Locate the fabrics. You will need to slide the main Prism fabric over the frame first. Then the black bottom fabric will zip on three sides to the main fabric.



6. It will be easiest to find the end of the zipper and trace the seam back to the corner. Place hand into the fabric.

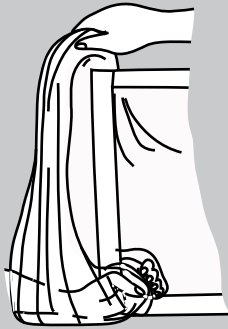


7. Continue holding each corner. Transfer the fabric from one art to the other, so it becomes inside-out.

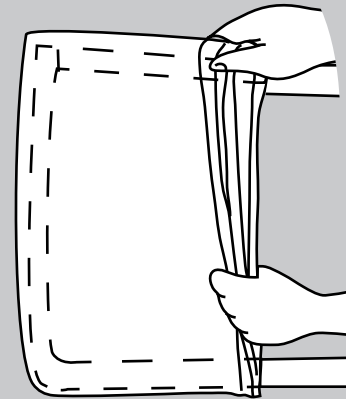


Any and all rights (including, without limitation, copyright, design patent, use patent and trademark) in and to all designs, concepts, renderings, or graphics (collectively, "Design") represented in this document were created by Moss Inc. and remain the sole and exclusive property of Moss Inc. Use of any such Design by the recipient without required purchase is strictly prohibited. ©2010

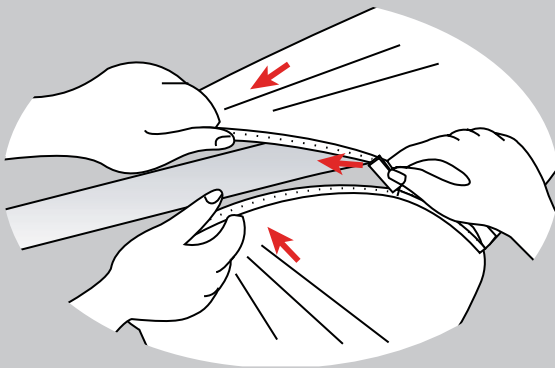
8. Have each person grasp the bottom corner of the metal with the hand inside the fabric. Continue holding the corner as you begin stretching the fabric over the metal.



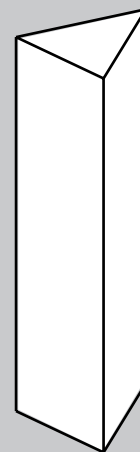
9. Have both people slide the fabric up onto the bottom of the metal and align the corners. Remember the zipper runs along one side and then across another.



10. Once the fabric is on the metal, have one person pull the fabric over the metal while the other one zips. The fabric is strong, so we encourage pulling hard!



11. Stand the Prism and place in desired position.



Any and all rights (including, without limitation, copyright, design patent, use patent and trademark) in and to all designs, concepts, renderings, or graphics (collectively, "Design") represented in this document were created by Moss Inc. and remain the sole and exclusive property of Moss Inc. Use of any such Design by the recipient without required purchase is strictly prohibited. ©2010

Final Note:

Metals:

After use, dismantle. Each metal is labeled; place back in the corresponding labeled bag. If possible, zip-tie pieces together.

Under NO circumstances should the metals be taped to one another.

Fabric:

Each fabric is labeled on the Pink Inc. tag and should be placed back in the corresponding labeled bag.

Any and all rights (including, without limitation, copyright, design patent, use patent and trademark) in and to all designs, concepts, renderings, or graphics (collectively, "Design") represented in this document were created by Moss Inc. and remain the sole and exclusive property of Moss Inc. Use of any such Design by the recipient without required purchase is strictly prohibited. ©2010