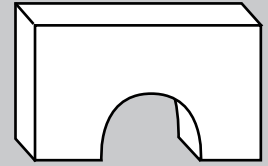


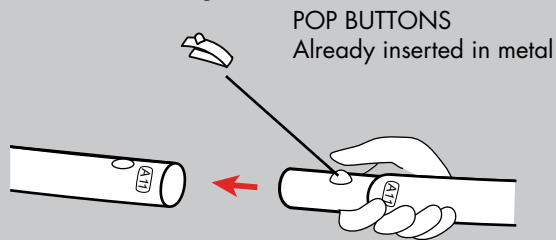
PINK PROVIDES:
1 Set of Span Metals
1 Span Fabric
Extra Pop Buttons

YOU PROVIDE:
Site Plan/Event Layout
Two Person Team
Gloves
Sewing Kit
Plastic Drop Cloth
Allen Key Set



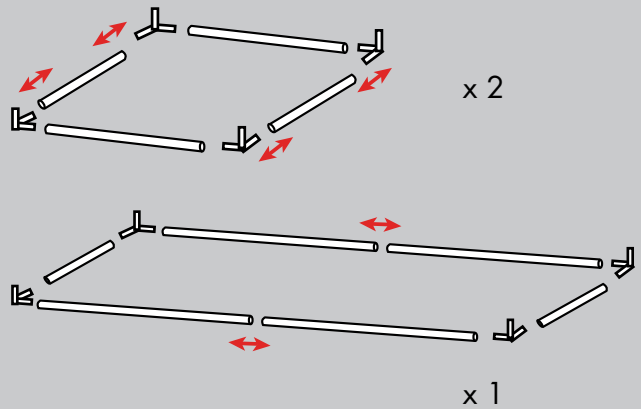
Additional Support Please Call:
212-253-6666 or
After Hours: 646-853-3900

Metals are labeled for easy assembly. Simply match the corresponding parts, depress the button, and slide together.

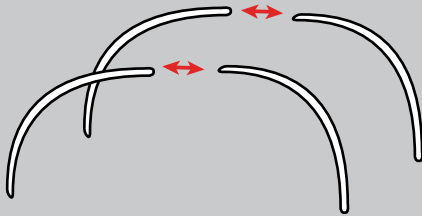


Prior to assembly, lay out drop cloth in designated work location. Before working with fabric, wash hands or put on gloves.

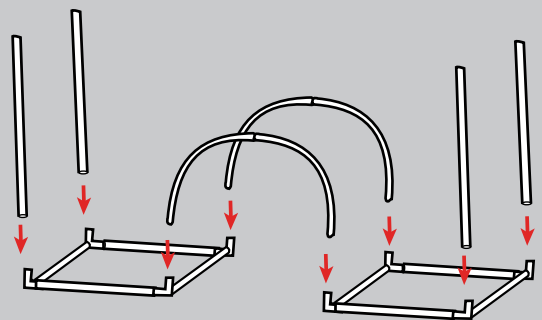
1. Join the straight pieces that create the bases first, as well as the top surface.



2. Attach the curved pieces.

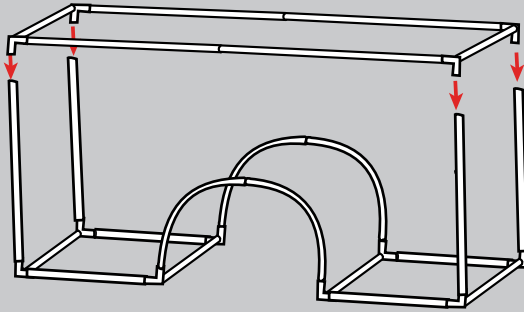


3. Attach the piece from step 2 and the vertical pieces to the bases.



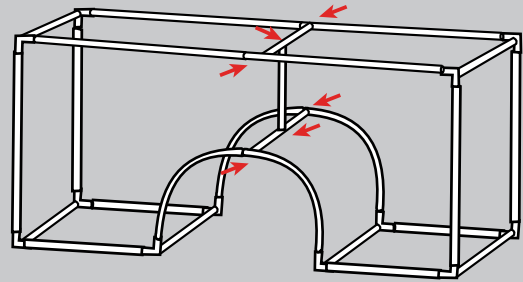
Any and all rights (including, without limitation, copyright, design patent, use patent and trademark) in and to all designs, concepts, renderings, or graphics (collectively, "Design") represented in this document were created by Moss Inc. and remain the sole and exclusive property of Moss Inc. Use of any such Design by the recipient without required purchase is strictly prohibited. ©2010

4. Slide the top into place. It is best if all pieces slide together at the same time.

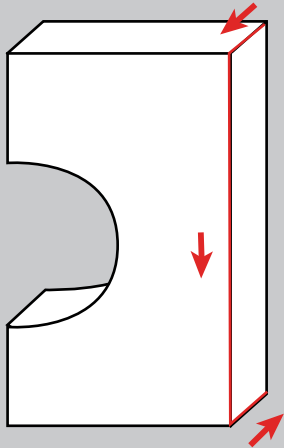


These will only slide together properly if all 4 pieces indicated are aligned prior to sliding into place.

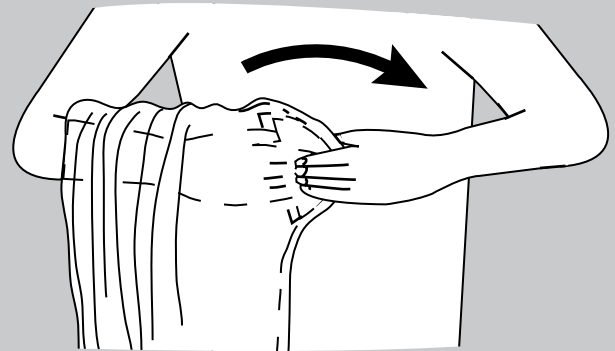
5. Attach the central supports using an allen key. Attach the top and bottom first, then the middle support.



6. Locate the fabric. The zipper on the fabric will run along one of the shortest sides, then one of the longest sides, and then back along the other shortest side.



7. Find the end of the zipper and trace the seam back to the corner. Then place hand into the fabric, grasping the corner from the inside.



The squares that stretch over the bases will be easiest to find in the fabric: look for the squares created by the seams.

Any and all rights (including, without limitation, copyright, design patent, use patent and trademark) in and to all designs, concepts, renderings, or graphics (collectively, "Design") represented in this document were created by Moss Inc. and remain the sole and exclusive property of Moss Inc. Use of any such Design by the recipient without required purchase is strictly prohibited. ©2010

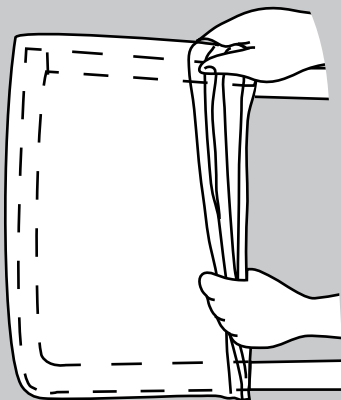
8. Continue holding each corner. Transfer the fabric from one arm to the other so it becomes inside-out.



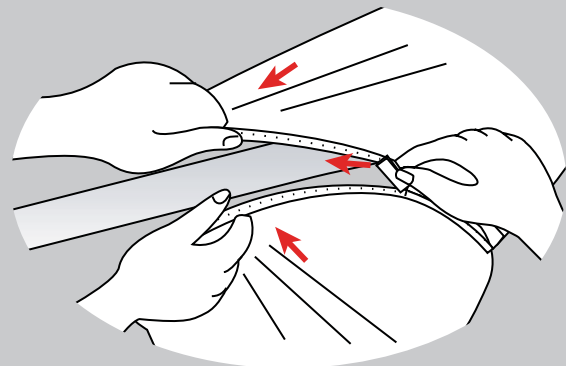
9. Have each person grasp the bottom corner of the metal with the hand still inside the fabric. Continue holding the corner as you begin stretching the fabric over the metal.



10. Have both people slide the fabric up onto the bottom of the metal and align corners. Remember the zipper runs along one side and then across two others.

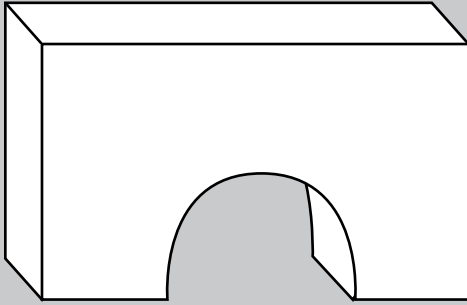


11. Once the fabric is on the metal, have one person pull the fabric over the metal while the other one zips. The fabric is strong, so we encourage pulling hard!



Any and all rights (including, without limitation, copyright, design patent, use patent and trademark) in and to all designs, concepts, renderings, or graphics (collectively, "Design") represented in this document were created by Moss Inc. and remain the sole and exclusive property of Moss Inc. Use of any such Design by the recipient without required purchase is strictly prohibited. ©2010

12. Position as desired.



Final Note:

Metals:

After use, dismantle. Each metal is labeled; place back in the corresponding labeled bag. If possible, zip-tie pieces together.

Under NO circumstances should the metals be taped to one another.

Fabric:

Each fabric is labeled on the Pink Inc. tag and should be placed back in the corresponding labeled bag.

Any and all rights (including, without limitation, copyright, design patent, use patent and trademark) in and to all designs, concepts, renderings, or graphics (collectively, "Design") represented in this document were created by Moss Inc. and remain the sole and exclusive property of Moss Inc. Use of any such Design by the recipient without required purchase is strictly prohibited. ©2010