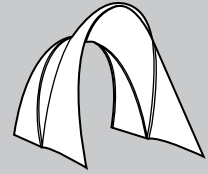


PINK PROVIDES:

- 1 Set of 10' Arch Metals
- 1 Set of 13' Arch Metals
- 1 Stargate Fabric
- Extra Pop Buttons

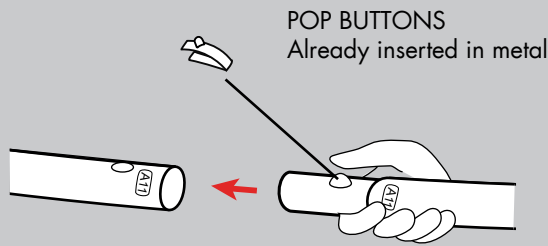
YOU PROVIDE:

- Site Plan/Event Layout
- Three Person Team
- Plastic Drop Cloth
- Gloves
- Sewing Kit
- Ladder
- Allen Key Set



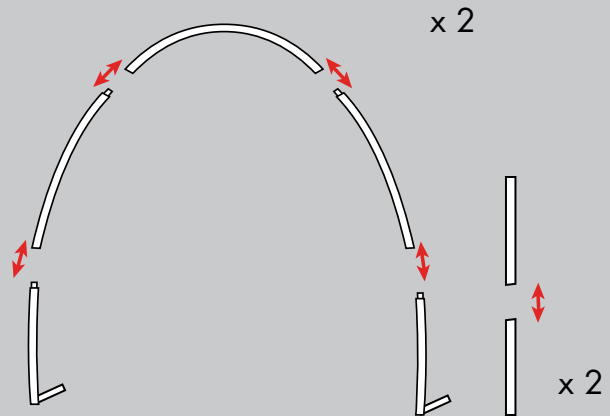
Additional Support Please Call:
212-253-6666 or
After Hours: 646-853-3900

Metals are labeled for easy assembly. Simply match the corresponding parts, depress the button, and slide together.

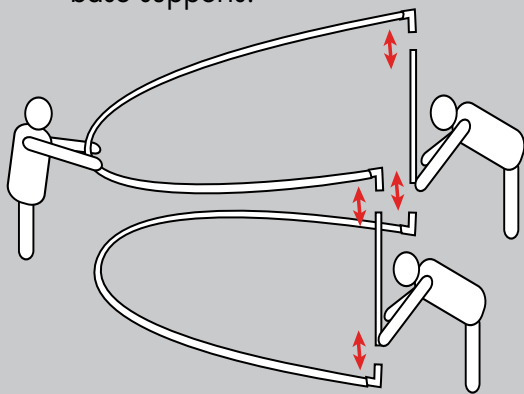


Prior to assembly, lay out drop cloth in designated work location. Before working with fabric, wash hands or put on gloves.

1. Assemble the 10' Arch metal structures. Join pieces to create the two arches.

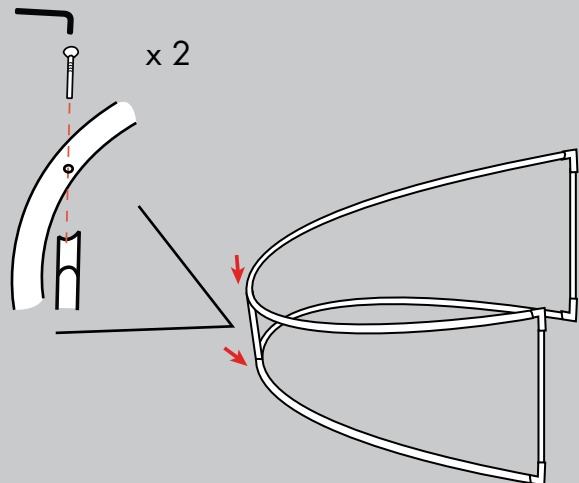


2. Lay the two arches down. Attach the two base supports.



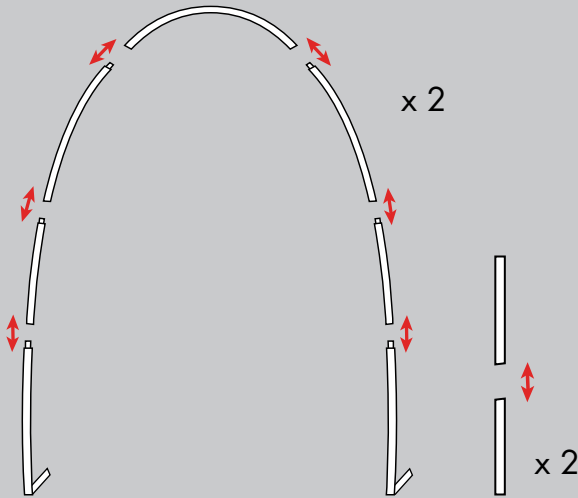
It is easiest to have one person hold the "top" arch approximately 12" off the ground.

3. Screw the top piece into place using an allen key.

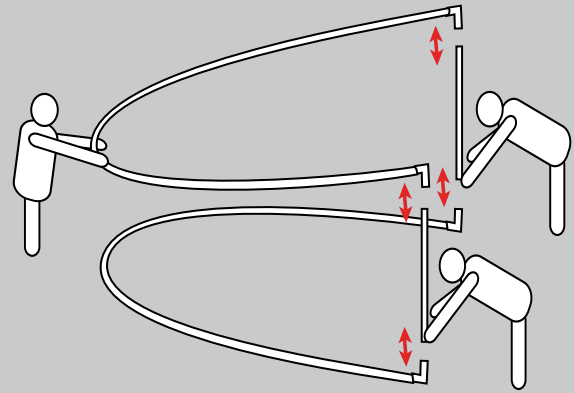


Any and all rights (including, without limitation, copyright, design patent, use patent and trademark) in and to all designs, concepts, renderings, or graphics (collectively, "Design") represented in this document were created by Moss Inc. and remain the sole and exclusive property of Moss Inc. Use of any such Design by the recipient without required purchase is strictly prohibited. ©2010

4. Stand the 10' arch and place near the final location. Next, assemble the 13' Arch. Join pieces to create the two arches.

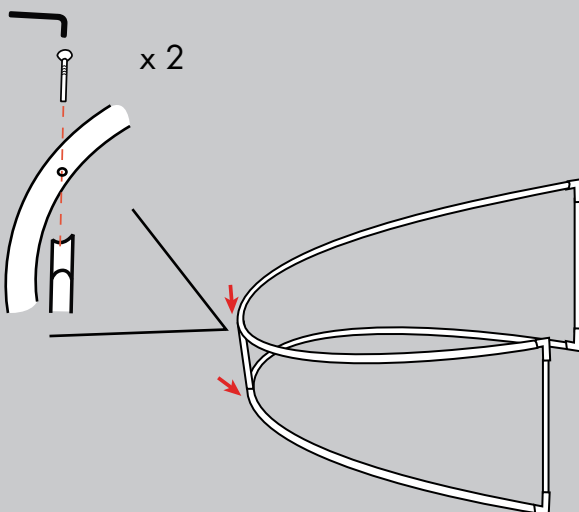


5. Lay the two arches down. Attach the two base supports.

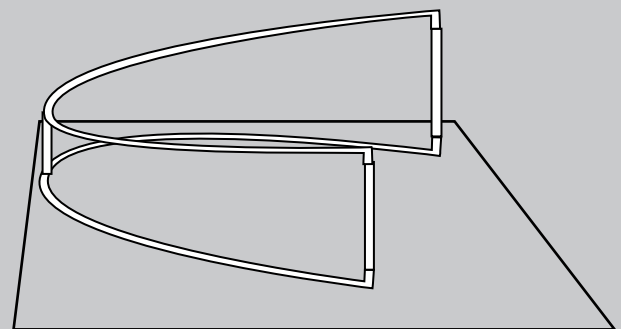


It is easiest to have one person hold the "top" arch approximately 12" off the ground.

6. Screw the top piece into place using an allen key.

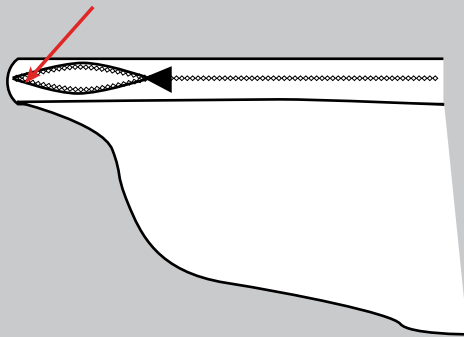


7. Keep the completed 13' arch on the ground near the standing 10' arch. Place a drop cloth under the 13' arch.

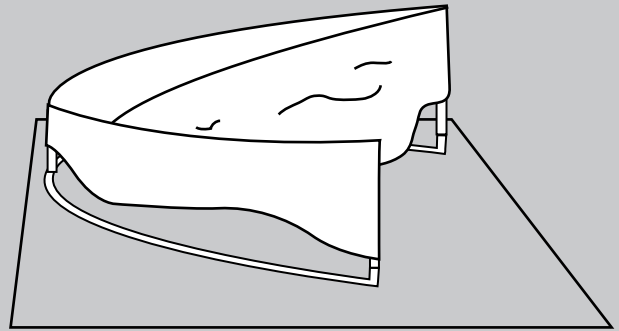


Any and all rights (including, without limitation, copyright, design patent, use patent and trademark) in and to all designs, concepts, renderings, or graphics (collectively, "Design") represented in this document were created by Moss Inc. and remain the sole and exclusive property of Moss Inc. Use of any such Design by the recipient without required purchase is strictly prohibited. ©2010

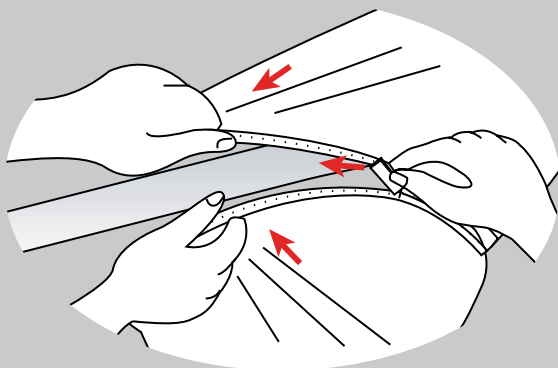
8. Unzip the Stargate fabric. Look at the underside of the zipper to determine which section goes on which arch.



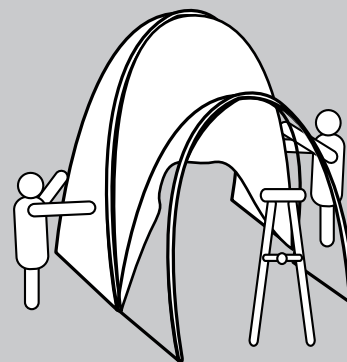
9. Stretch the 13' side of the fabric over the 13' arch and zip along the bottom.



10. Have one person pull the fabric over the metal while another one zips. The fabric is strong, so we encourage pulling hard!



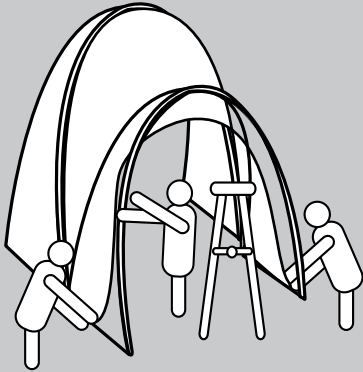
11. Once the 13' arch is zipped into place, stand and place it next to the 10' arch.



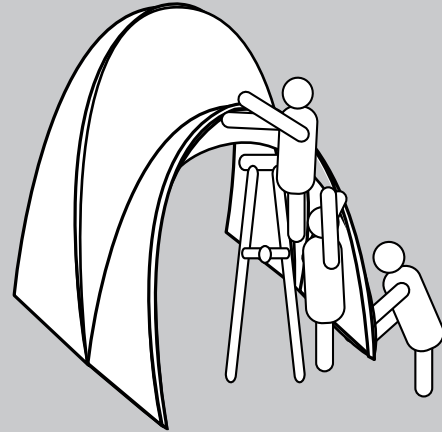
Take the ladder and stand it in the center of the 10' arch.

Any and all rights (including, without limitation, copyright, design patent, use patent and trademark) in and to all designs, concepts, renderings, or graphics (collectively, "Design") represented in this document were created by Moss Inc. and remain the sole and exclusive property of Moss Inc. Use of any such Design by the recipient without required purchase is strictly prohibited. ©2010

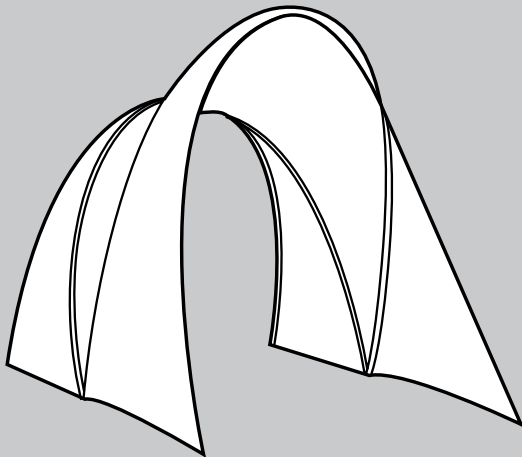
12. Stretch the fabric over the entire 10' frame. Two people should be stretching the fabric, one at each foot of the 10' arch. The third person should be in the center, assisting in pulling the fabric over the metal.



13. Once the feet are in place, begin to zip the Stargate closed. Stand on the ladder to reach the top of the 10' arch.



14. Once it is zipped closed, the Stargate is complete.



Any and all rights (including, without limitation, copyright, design patent, use patent and trademark) in and to all designs, concepts, renderings, or graphics (collectively, "Design") represented in this document were created by Moss Inc. and remain the sole and exclusive property of Moss Inc. Use of any such Design by the recipient without required purchase is strictly prohibited. ©2010