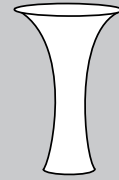


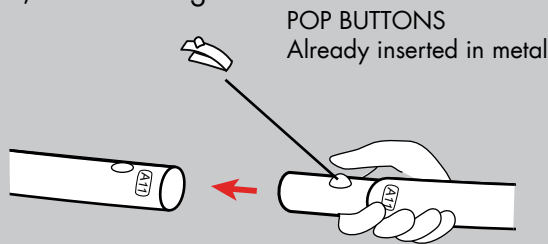
PINK PROVIDES:
1 Tornado Fabric
1 Tornado Base Fabric
1 Set of 6' Dia. Tornado Metals

YOU PROVIDE:
1 Base Plate
1 12' Auto-Pole
Site Plan/Event Layout
Two Person Team
Allen Key Set
Plastic Drop Cloth
Gloves
Sewing Kit



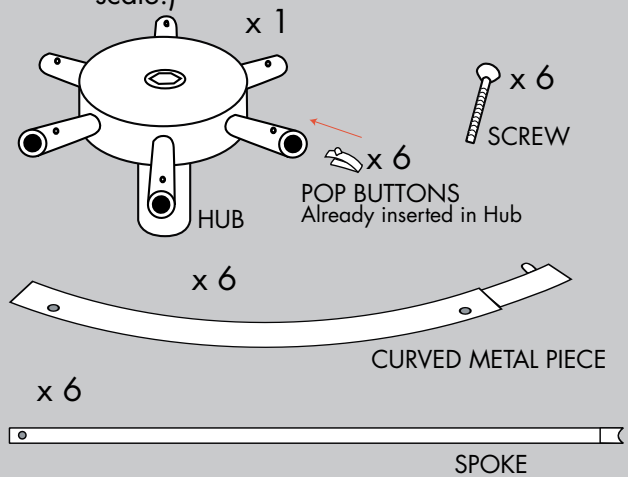
Additional Support Please Call:
212-253-6666 or
After Hours: 646-853-3900

Metals are labeled for easy assembly. Simply match the corresponding parts, depress the button, and slide together.

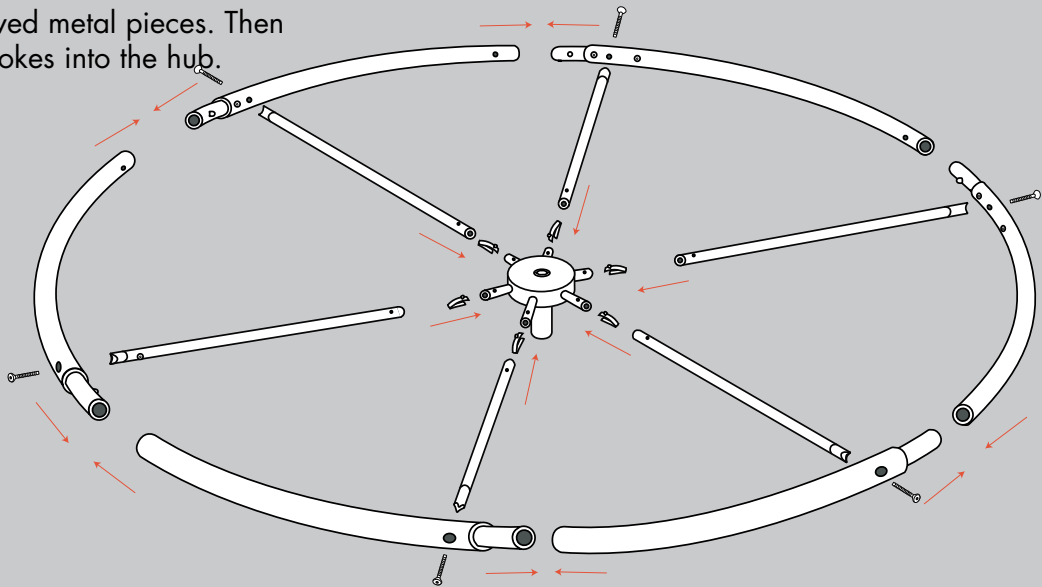


Prior to assembly, lay out drop cloth in designated work location. Before working with fabric, wash hands or put on gloves.

1. Be sure to have these parts and the bag with the Tornado fabric. (Shown not to scale.)

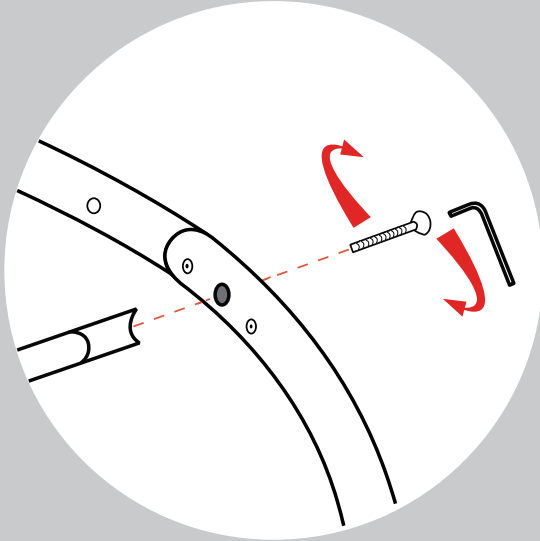


1. Assemble curved metal pieces. Then pop center spokes into the hub.

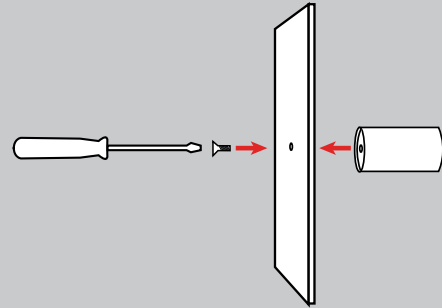


Any and all rights (including, without limitation, copyright, design patent, use patent and trademark) in and to all designs, concepts, renderings, or graphics (collectively, "Design") represented in this document were created by Moss Inc. and remain the sole and exclusive property of Moss Inc. Use of any such Design by the recipient without required purchase is strictly prohibited. ©2010

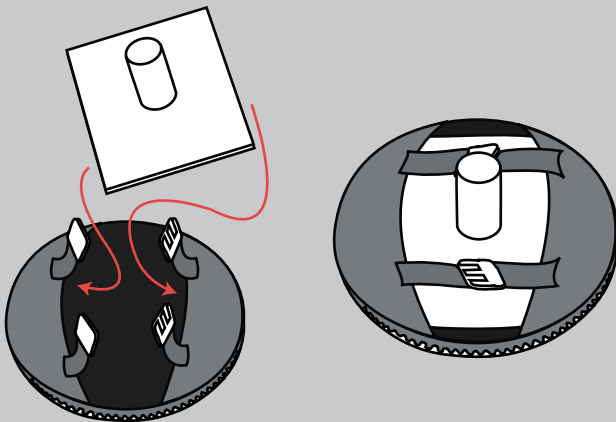
2. Screws the spokes to the curved metal using an allen key.



3. If base plate is not assembled, assemble with nipple.

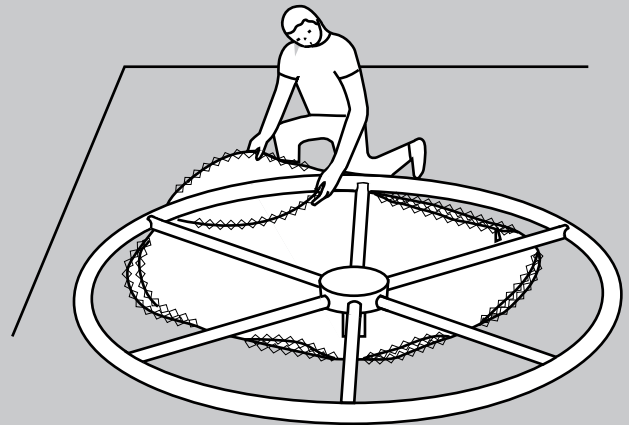


4. Place the Tornado's base fabric into final location. Set the base plate into the base fabric and strap into place.



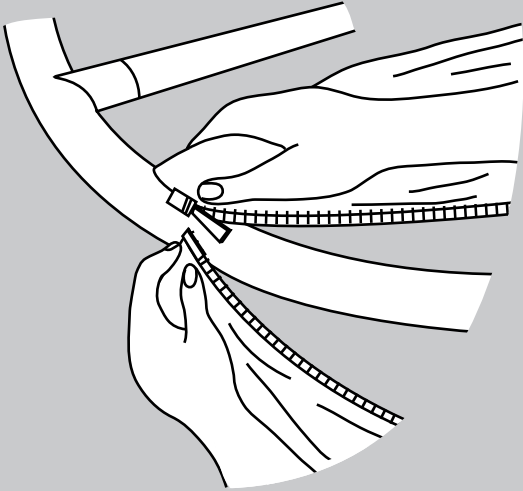
Strapping the base in will prevent it from shifting in later steps.

5. Lay the Tornado fabric on the drop cloth. Make sure the black base of the fabric is underneath. Place the completed wheel on top of the fabric with hub "tube" down.

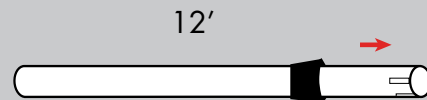


Any and all rights (including, without limitation, copyright, design patent, use patent and trademark) in and to all designs, concepts, renderings, or graphics (collectively, "Design") represented in this document were created by Moss Inc. and remain the sole and exclusive property of Moss Inc. Use of any such Design by the recipient without required purchase is strictly prohibited. ©2010

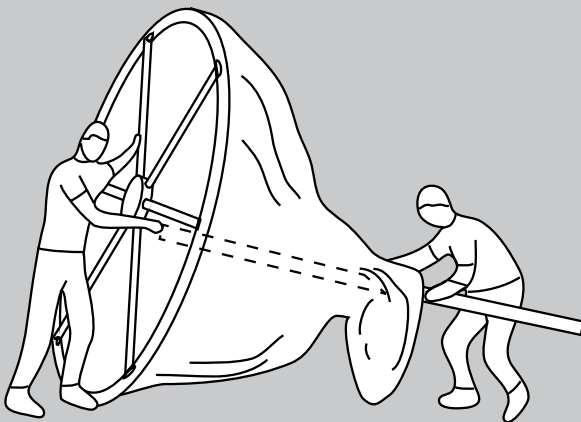
6. Find the zippers at the edges of the fabric. Zip in between the spokes, working your way around the wheel.



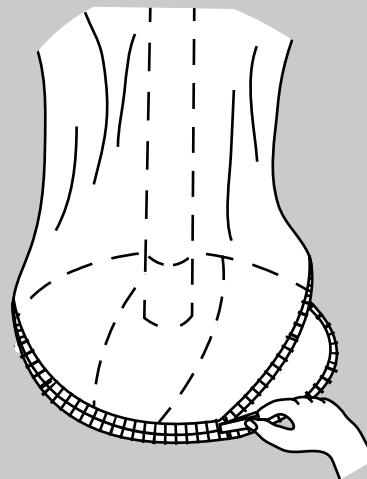
7. Locate the pole and extend to 12'. The height needs to be the height of the ordered Tornado, or it will not stretch properly.



8. Raise the wheel up on its side and guide the pole through the opening at the base through the center of the fabric.

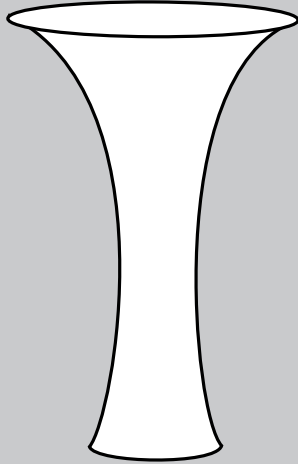


9. With the Tornado placed into base plate, zip the base closed.



Any and all rights (including, without limitation, copyright, design patent, use patent and trademark) in and to all designs, concepts, renderings, or graphics (collectively, "Design") represented in this document were created by Moss Inc. and remain the sole and exclusive property of Moss Inc. Use of any such Design by the recipient without required purchase is strictly prohibited. ©2010

10. Using a ladder, if necessary, extend the pole to the desired height.



Trouble Shooting:

- If the hub does not fit on the pole:
 - * Make sure pole is round and not oval;
 - * Use a rubber mallet or hammer to position in place;
 - * To fit in hub, top of pole needs to be 1.75" wide maximum.

NOTE:

When raising pole, be careful and always use two people. The hub must remain on top of the pole.

Any and all rights (including, without limitation, copyright, design patent, use patent and trademark) in and to all designs, concepts, renderings, or graphics (collectively, "Design") represented in this document were created by Moss Inc. and remain the sole and exclusive property of Moss Inc. Use of any such Design by the recipient without required purchase is strictly prohibited. ©2010